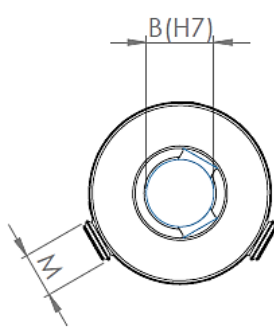


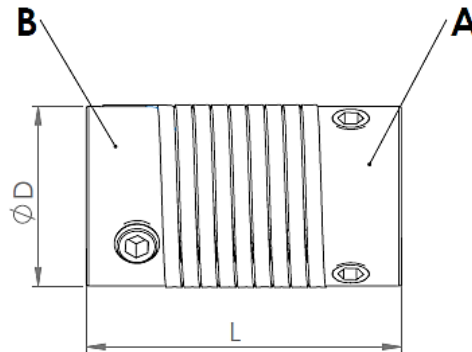


- Spring: Steel, Flange: Aluminium
- High Torque and Long Life
- Flexible Body
- Constant Velocity Transmission
- 6-6, 6-8, 6-10, 8-8, 8-10, 10-10, 12-12 ve 14-14 mm hole diameter model options
- Long-lasting, durable

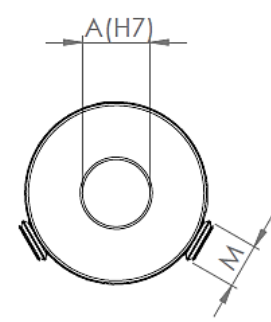
MECHANICAL DIMENSIONS



B
6 mm
8 mm
10 mm
12 mm
14 mm



ØD	Ø16		Ø21	
L	24	28	33	33
M	M4		M5	



A
6 mm
8 mm
10 mm
12 mm
14 mm

TECHNICAL SPECIFICATIONS

Rotation Speed	Max 3000/dk
Max torque	0.5 Nm
Radial offset	± 1 mm max.
Axial offset	± 1 mm max.
Angle error	± 5° max.
Torsion angle	@ torque 0.25 Nm drive shaft view
CW rotation direction	50°
CCW rotation direction	70°
Moment of inertia	10 kg m ² x 10 ⁻⁷
Mounting	Clamp screws M4 or M5
Tightening torque of clamping	1.5 Nm max.
Operating Temperature	-30°C ... +120°C
Material	Flange: Aluminum Spring: Steel

ORDER CODE

1. and 2.Hole Size

06 – 06 : 6mm – 6mm
06 – 08 : 6mm – 8mm
06 – 10 : 6mm – 10mm
08 – 08 : 8mm – 8mm
08 – 10 : 8mm – 10mm
10 – 10 : 10mm – 10mm
12 – 12 : 12 mm – 12mm*
14 – 14 : 14mm – 14mm*
*Only for 21 mm body diameter models

Model

SC - XX - XX - L = XX

Body Diameter

16: 16 mm
21: 21 mm

L = Length

24 : 24 mm*
28 = 28mm*
33 = 33 mm
*Only for 16 mm body diameter