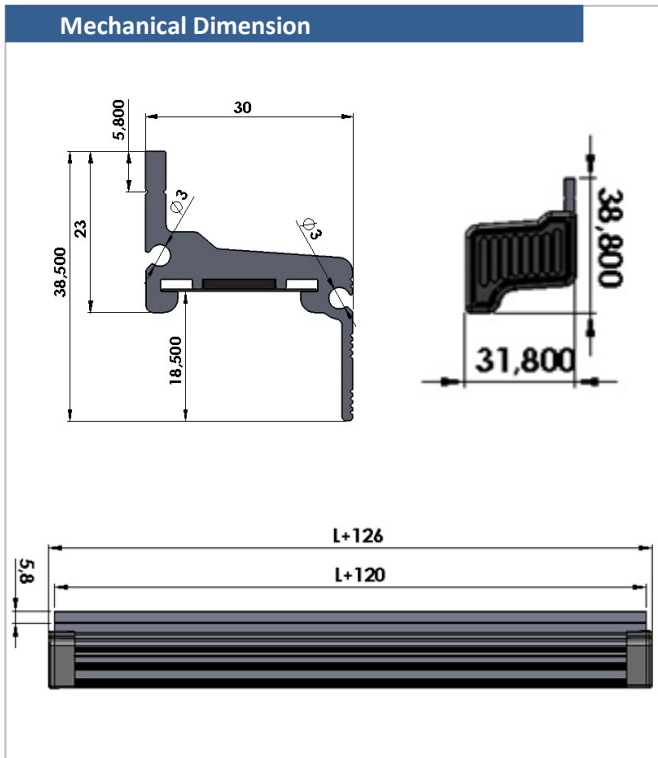




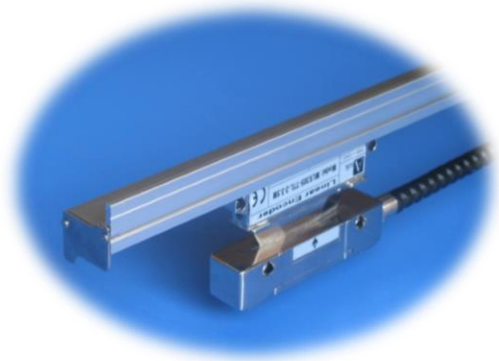
- Tape in "L" Aluminum Profile
- Contactless and Wear Free System
- Very Easy Mounting
- High Accuracy
- Protection Class IP67

In the system magnetic tape integrated in the type profile. The most important specialty of this system is easy assembly. It can be used with MLS110 and MLS 210 reader sensors.



**Technical Specifications**

Life	Infinite (Contactless)
Body Material	Aluminum (L) Type Profile
Gap Between Tape and Sensor	1,5 mm (Maximum 2,5 mm)
Magnetic Tape Type	B5 (Optional B2)
Operating Temperature Range	-25 to +85°
Protection Class	IP67



**WARNING (!)** The proximity of the band with comparator, magnet or similar instruments having a magnetic effect, disrupts the working structure of the band. The product should be kept away from devices that generate this type of magnetic field.

**Order Specifications**

<b>Model</b>	<b>Measuring Length</b>								
	Optional, User Defined								
	Example: 300 : 300mm								
PS	110	-	X	-	X	X	X	X	mm
<b>N / S Pole Distance</b>									
B2 : 2 mm pole length									
B5 : 5 mm pole length									