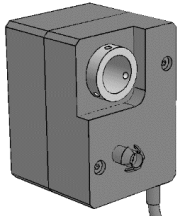


GENERAL INFORMATIONS



AGP series are used for absolute measurement of angles and distances with potentiometric principle. They have small and compact structure and used in many applications in the industry because they are durable, very long-lasting and precise.

There have different resistance options such as 5 or 10 Kohm for the specified number of turns.

WARNINGS

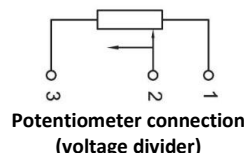
- The installation of the product is carried out by the customer who purchases the product, according to the wiring diagrams, installation information, etc. in this manual.
- Maintenance and repair should be done by the technicians authorized by the manufacturer firm.
- There must be minimum distance between the sensor and control unit. Avoid additions except the suitable connector unless it needs.
- Keep away the sensor cable from as high power energy cables, contactor, motor, switched power supplies, inductive and capacitive noisy supplies.
- Not to damage the sensor, supply directions and voltage must be paid attention. Don't energize before all connections completed.
- Transport and storage should be at their original packaging and the product will not be exposed to dust, humidity, impact, vibration, falling or water.
- Chemicals such as alcohol, thinner etc. should not be used for cleaning the product. The product should be wiped with a damp cloth.
- The product may be damaged and may become unusable if used outside of the specifications in the user manual. In this case, the product will be out of warranty.

TECHNICAL FEATURES

System Data	
Number Of Turns	10, 20 turns (optional others)
Mechanical Data	
Shaft Material	303 stainless steel
Housing Material	Delrin
Speed	≤300 rpm
Service Life	1x10 ⁶ revolutions
Electrical Data	
Linearity	±0.25%
Output Type	Potentiometric
Supply Voltage	42V max.
Resistance Values	5K, 10K
Resistance Tolerance	±%20
Power Rating	2W at 40°C
Electrical Connection	3x0,14 mm ² PVC cable
Environmental Data	
Ambient Temperature	0°C ... +80°C
Protection Class	IP52

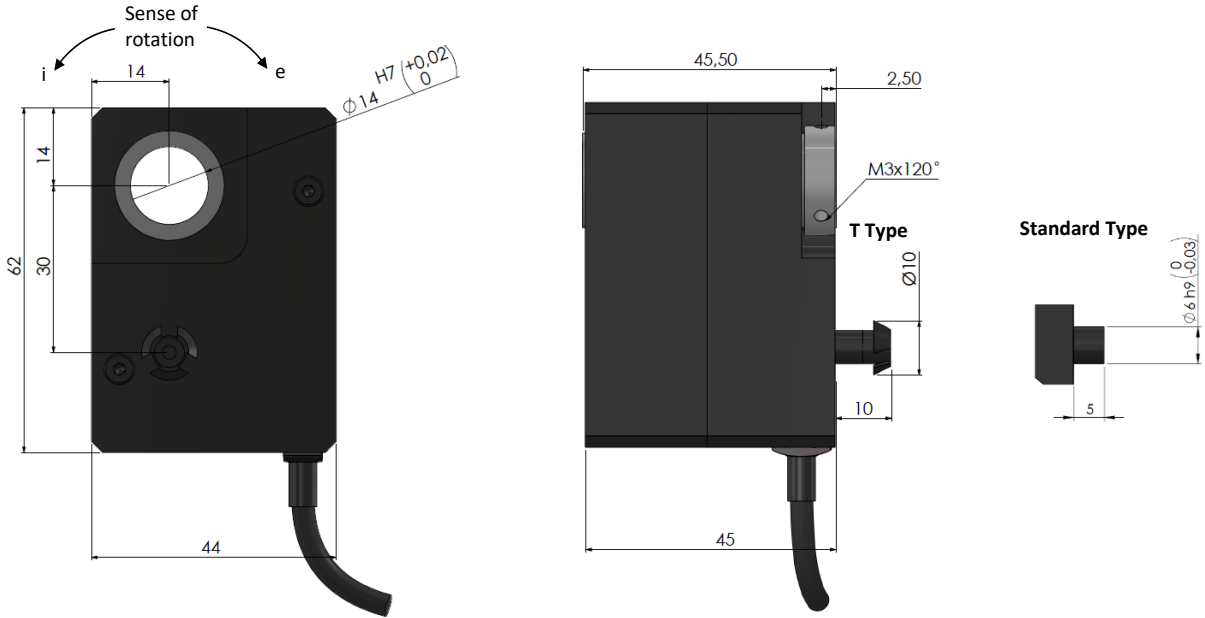
ELECTRICAL CONNECTIONS

SIGNAL	CABLE COLOR
+V	Red (1)
Output signal	Yellow (2)
-V	Black (3)

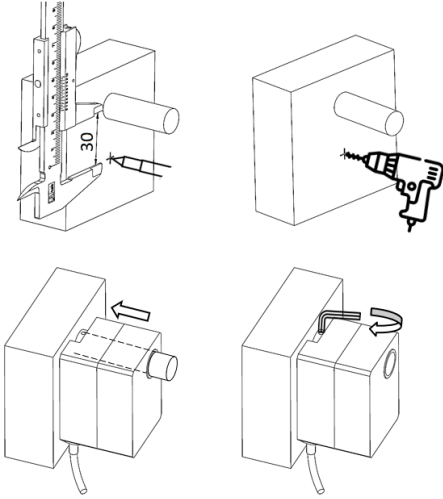


- Wiring must only be carried out with power off.
- Provide stranded wires with ferrules.
- Check all lines and connections before switching on the equipment.

DIMENSIONS (mm)



INSTALLATION



Attention should be paid to the IP protection class specified for the mounting of the product. If necessary, the product should be protected against environmental influences such as water, dust, impacts, and extreme temperatures.

Slide the AGP100 onto the shaft, insert the torque pin into the pre-drilled mounting hole and use the M3 screw to fix the hollow shaft of the AGP100 to the solid shaft of the machine.

- Ensure sliding fit between solid shaft and AGP100.
- Ensure accurate shaft alignment and mount the AGP100 without force. If the shaft is not correctly aligned, strain on the bearings will result, which may cause damage.
- Especially when using torque pin standard type for fixing, ensure that AGP100 does not jam and that it is mounted without strain. Please note this when choosing the AGP100's hole diameter.
- The product must be protected from impacts.

BOX CONTENT

Product	Description
AGP 100	Geared Potentiometer
User Manual	1 pcs.

ORDER CODE

Model	Resistance Value	Shaft Diameter
AGP 100 - XX - XXX - XXX - XXX - X	5K : 5K 10K : 10K	14H : 14 mm hollow
	Number Of Turn	Cable Length
	10 : 10 turns 20 : 20 turns *Optional others	3M : 3 meters (standard) *Optional others
		Mounting Type
		No code : Standard T : T Type



Manufacturer Firm's and Authorized Service's Title, Address Details

Manufacturer Firm: ATEK ELEKTRONİK SENSÖR TEKNOLOJİLERİ SANAYİ VE TİCARET A.Ş.

Address: Gebze OSB, 800. Sokak, No:814 Gebze/KOCAELİ/TURKEY

TEL: +90 262 673 76 00 **FAX:** +90 262 673 76 08

Web: www.ateksensor.com **E-mail:** info@ateksensor.com