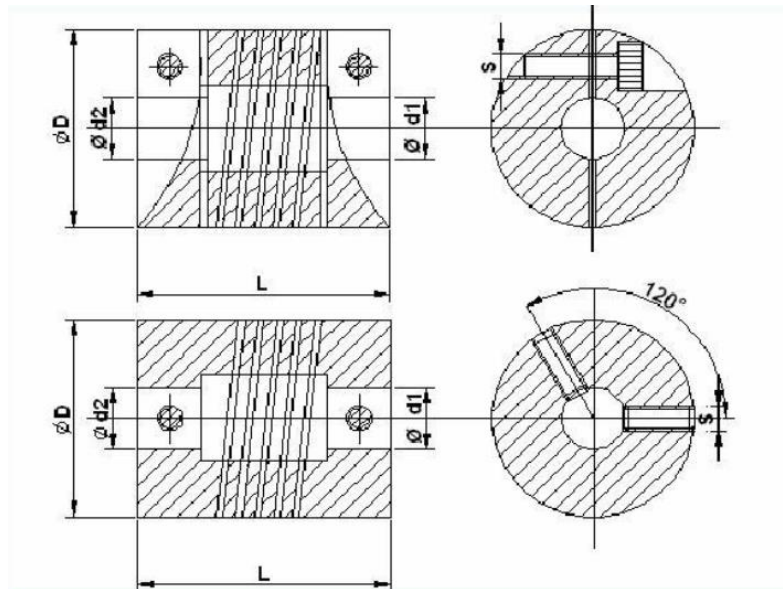




- One Piece
- Aluminium Body
- 6-6, 8-8, 6-8, 8-10 mm hole diameter and other models
- High torque and speed transmission
- Set screw system
- Long life, durable
- Ideal for encoder and other connection applications

### Mechanical Dimensions



### Order Code

#### Model

#### 1. and 2. Hole Size

- |       |   |
|-------|---|
| 6-6   | : 6mm - 6mm                                     |
| 8-8   | : 8mm - 8mm                                     |
| 10-10 | : 10mm - 10mm (Only 25 mm Body Diameter Models) |
| 6-8   | : 6mm - 8mm                                     |
| 8-10  | : 8mm - 10mm (Only 25 mm Body Diameter Models)  |

H C - X X - X - X - L = X X

#### Body Diameter

16: 16 mm  
20: 20 mm  
25: 25 mm

#### L = Length

24 = 24 mm  
28 = 28 mm  
32 = 32 mm