



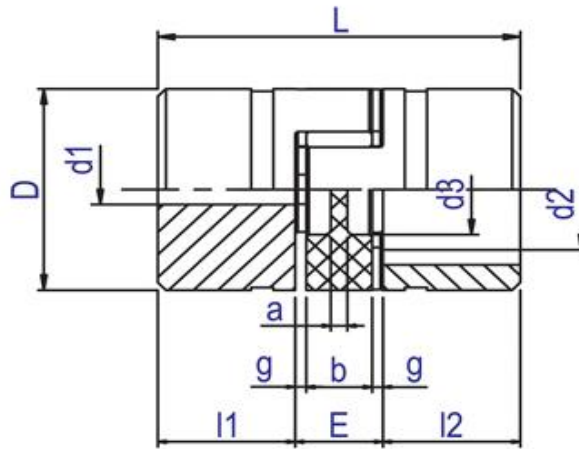
### General Features

- Non-rebound, flexible and durable design
- Maintenance, lubrication, etc. Not required, very long life
- Fully error-free motion and power transfer
- 100% electrical and vibration isolation between the two ends of the interconnection piece separated by polyurethane
- High torque-resistant polyurethane material
- All parts are jointly centered and prestressed to protect against misalignment

### GT Series

- Aluminum body, intermediate element special purity polyurethane spider. The pit / bump structure of the body and polyurethane intervening reduces angular, parallel and axial misalignments to a minimum.
- 6, 8 or 10 mm hole diameter options
- D: 20 mm body diameter, L: 30 mm body length
- Compressed / clamped system

### MECHANICAL DIMENSIONS



### ORDER DETAIL

**Model**

GT

XX

XX

**1.and 2. Hole Diameter (d1-d2)**

06 - 06 mm

08 - 08 mm

10 - 10 mm

XX-XX

XX

**Body Diameter (D)**

20 mm

**Body Length (L)**

30 mm