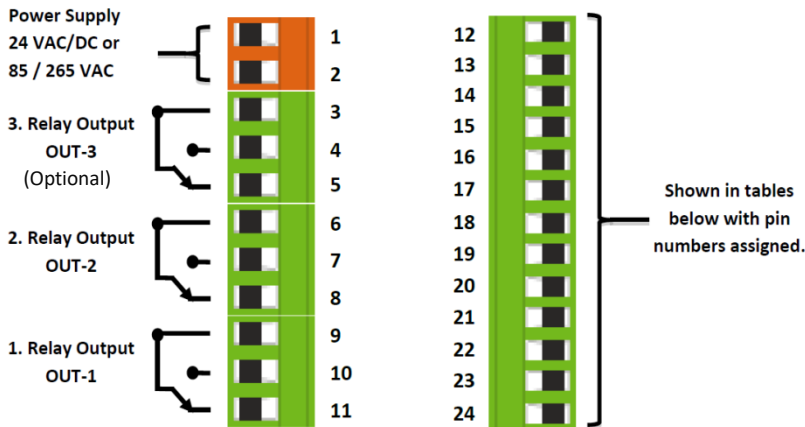




- Process and temperature measurement at the same time
- Two lines display;
The first line shows the analog process value from the sensor and the second line shows the temperature information from the thermocouple.
- PT100, PT1000 or Thermocouples can be connected
- Thermocouple type K, J, N, R, S, T, E and B can be selected from menu
- Temperature can be shown as °C, °K and °F
- Load Cell can also be connected
- RS-232, RS-485, USB or CANopen options
- 2 relay outputs (optional 3), adjustable for different functions
- High refresh rate: 3.5 kHz
- Analogue signals (0-10 V, 4-20 mA, 0-20 mA Potentiometric) can be converted to CANopen signals.
- CANopen signals can be converted to analogue signals (0-10 V, 4-20 mA, 0-20 mA)
- Invertible analogue output (10-0 V, 20-0 mA)
- Fast and multiple parameter configuration via USB
- Easy and user friendly interface
- Tare function
- Menu hiding or password protection

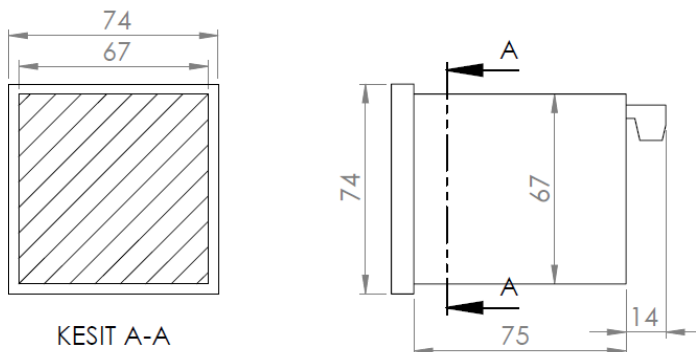
Connections



Technical Specifications

| | |
|----------------------------------------|------------------------------------------------------------------------------------------------------------------------------------------------------------------------------------------------------------------------------------------------------|
| Display | 1st Line: 7-segment LED, digit height:14mm 2nd Line: 7-segment LED, digit height:9mm |
| Supply Voltage | 24 V _{AC/DC} 50/60 Hz 85-265 V _{AC} 50/60 Hz |
| Power Usage | 9 VA / 2,7 Watt Maximum |
| Sensor Supply Voltage | <u>Pot:</u> 10 V _{DC} , <u>mV/V:</u> 10 V _{DC} <u>0-10V:</u> 24 V _{DC} , <u>0-5V:</u> 5 V _{DC} , <u>0.5-4.5V:</u> 5 V _{DC} , <u>4-20 mA:</u> 24 V _{DC} , <u>CANopen:</u> 24 V _{DC} |
| Max. Sensor Supply Current | 100 mA |
| Refresh Rate | 3.5 kHz |
| Resolution | 16 bit |
| Analogue Inputs | Potentiometer, 0-10 V, 0.5-4.5 V, 0-5 V, 4-20 mA, 0-20 mA, 3,33 mV/V, 2mV/V, 2,5mV/V Ratiometric, Thermocouple, RTD |
| Relay Outputs | 2 pcs 250 V _{AC} 3A (Resistive Load) Relay (optional 3 pcs) |
| Serial Communication (Optional) | RS-232, RS-485, USB, CANopen |
| Analogue Outputs (Optional) | 0-10 V, 0-5 V, 0.5- 4.5 V, 4-20 mA, 0-20 mA |
| Electrical Connection | 2,5 mm ² Universal Terminal |
| Weight | ~190 gr |
| Operating Temperature | 0 - 50 °C |
| Protection Class | IP60 Front Panel, IP20 Back Panel |

Mechanical Dimensions



KESIT A-A

Connection Regarding Terminal Numbers

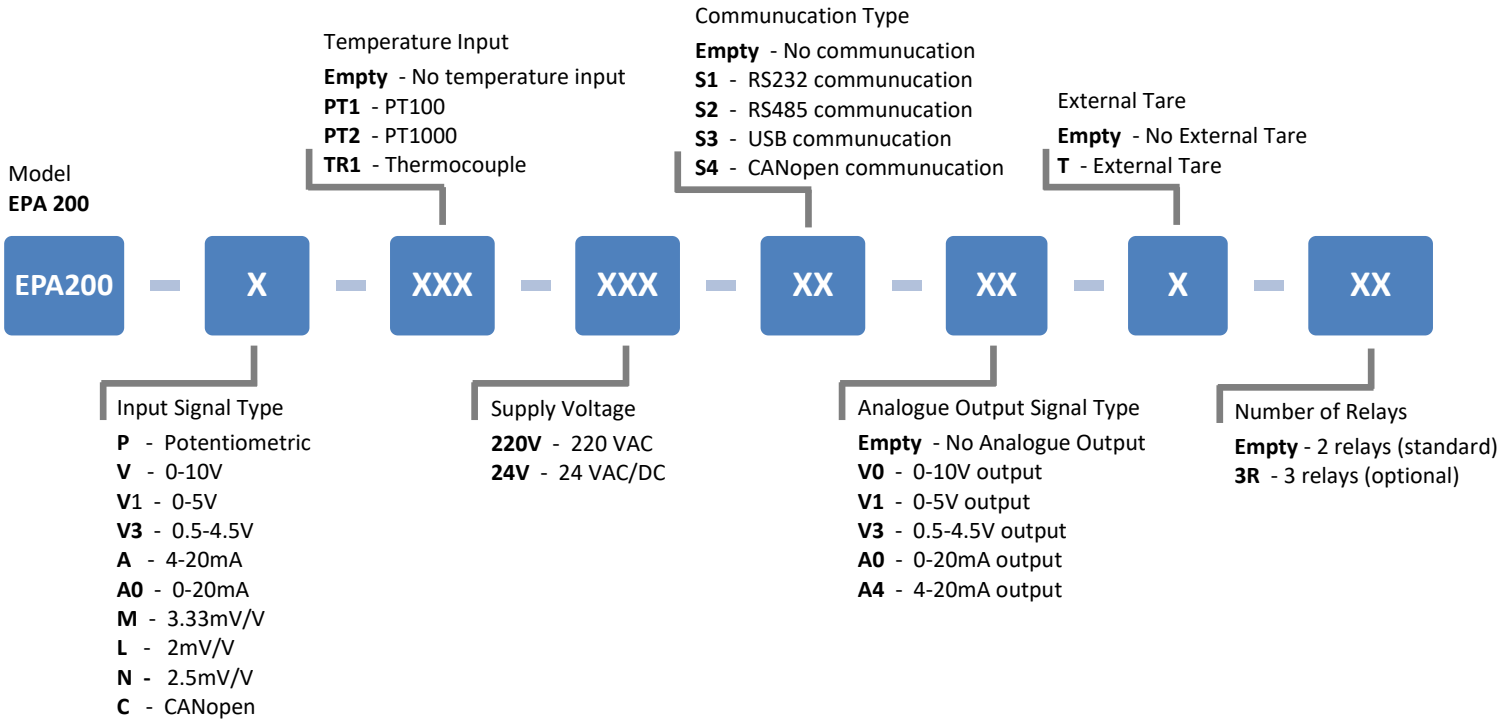
| Digital Comn. | 12 | 13 | 14 |
|---------------|----------------------|---------|-----|
| RS485 | A | B | GND |
| RS232 | Rx | Tx | GND |
| USB HID | USB B TYPE CONNECTOR | | |
| USB VIRTUAL | USB B TYPE CONNECTOR | | |
| CANopen | CAN HIGH | CAN LOW | GND |

| Analogue Outputs | 15 | 16 | 17 |
|---------------------------------------------------------------------------------------|------------|-----|---------------|
| 4-20 mA Output 0-20 mA Output 0-10 V Output 0-5 V Output 0.5-4.5 V Output | X | GND | Signal Output |
| Tare Input | Tare Input | GND | X |

| SENSOR | 24 | 23 | 22 | 21 | 20 | 19 | 18 |
|----------------------------------------------------------------------------------|-------------|---------------|---------------|-----------|-----------|----|----|
| Potentiometer | 3. terminal | 2. terminal | 1. terminal | X | X | X | X |
| 4-20 mA Input 0-20 mA Input 0-10 V Input 0-5 V Input 0.5-4.5 V Input | GND | Sensor Signal | Sensor Supply | X | X | X | X |
| 3.33 mV/V Input 2 mV/V Input 2.5 mV/V Input | GND | X | Sensor Supply | Signal(-) | Signal(+) | X | X |
| RTD | X | X | X | X | X | R- | R+ |
| Thermocouple | X | X | X | X | X | T- | T+ |

Order Code

Use the following coding format when you will order your EPA 200 process controller.



Sample Product Code 1: **EPA200-V-TR1-220V-S2-A4-T**

Sample Product Code 2: **EPA200-A-24V**