



GENERAL FEATURES

- 20°, 45°, 150°, 180°, 354° electrical angle
- Hollow shaft options from 6mm to 8mm
- 31 mm body diameter
- Potentiometric, 0-10V, 4-20 mA or 0-20mA output
- High linearity up to $\pm 0.5\%$
- Long life up to 10 million movements
- Dust and moisture resistant, IP63 protection class
- No mechanical rotation limitation

APPLICATION FIELDS

- Textile machinery
- Automatic door control systems
- Automotive
- All kinds of control and measurement applications

TECHNICAL FEATURES

Electrical Data

Independent Linearity	$\pm 0.5\%$	
Repeatability	0.1° max.	
Output Type	Potentiometric	0-10V, 4-20 mA, 0-20 mA
Electrical Angle	20°, 45°, 150°, 180°, 354°	
Supply Voltage	42V max.	12...30 VDC
Resistance Values	1K, 2K, 5K, 10K	-
Resistance Tolerance	$\pm 20\%$	-
Resistance Element	Conductive Plastic	-
Resolution	Infinite	12 bit
Recommended Wiper Current	100 μ A max.	-
Power Rating	0.5W / 40°C max.	-
Minimum Life (electrical)	10 million movements	
Electrical Connection	3x0,102 mm ² soft PVC cable (standard 1m, optional others)	

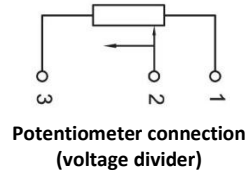
Mechanical Data

Dimensions	See mechanical dimensions table
Mechanical Angle	360°, continuous
Torque	0.5 Ncm max.
Operating Temperature	-25°C ... +75°C
Storage Temperature	-25°C ... +105°C
Housing Material	Aluminum
Protection Class	IP63

ELECTRICAL CONNECTIONS

Potentiometer Connection

SIGNAL	CABLE COLOR
+V	Green (1)
Potentiometric output	Red (2)
-V	Yellow (3)



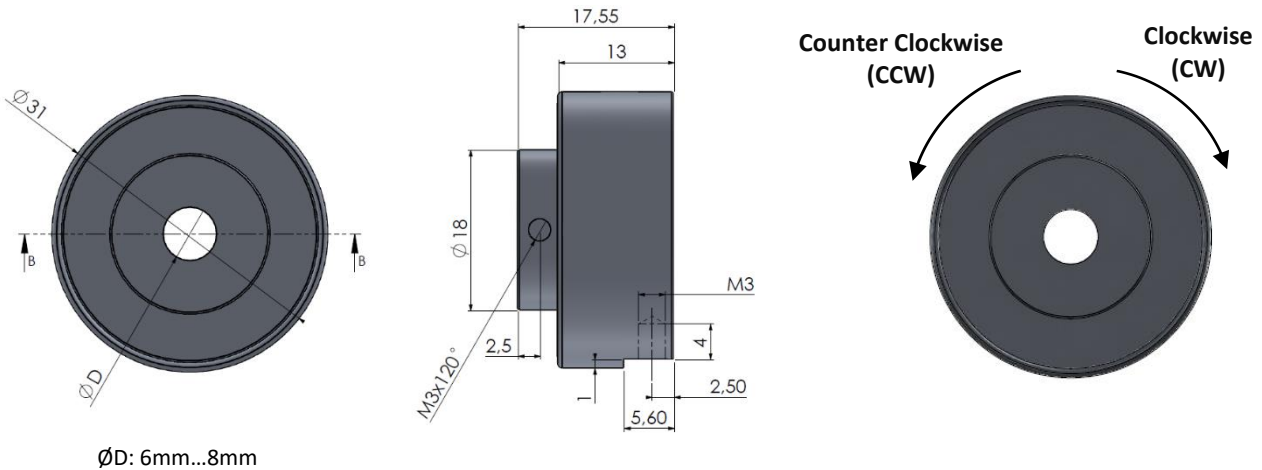
0-10V Connection

SIGNAL	CABLE COLOR
+VDC	Green
Analog Output	Red
-VDC	Yellow

4-20mA or 0-20 mA Connection (2-wire)

SIGNAL	CABLE COLOR
+VDC	Red
Analog Output	Green Yellow

MECHANICAL DIMENSIONS (mm)



ORDER CODE

Model	Angle	Hollow Diameter	Output Type
RHP - XXX - XXX - XX - XX - XXX - XX - X	20 : 20° 45 : 45° 150 : 150° 180 : 180° 354 : 354°	Selectable from 6mm to 8mm	No Code: Potentiometric A0: 0-20 mA (CW) NA0: 0-20 mA (CCW) A: 4-20 mA (CW) NA: 4-20 mA (CCW) V: 0-10 V (CW) NV: 0-10 V (CCW) *CW: Clockwise CCW: Counter Clockwise
Body Diameter 030: 31 mm	Resistance Value 1K: 1K 2K: 2K 5K: 5K 10K: 10K *Resistance value selection is only available in potentiometric output model.	Cable Length 1M: 1 meter (standard) *Optional others	Cable Output Direction No Code: Backside Y: Side

Sample Order Code:

For potentiometric output: RHP 030-45-5K-6-1M-Y
 For analog output: RHP 030-45-6-1M-A-Y