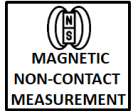
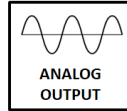


GENERAL FEATURES



- Non-contact measurement
- 12 bit resolution
- User-selectable angle values between 0-360 °
- 4-20 mA, 0-5VDC, 0-10 VDC or 0.5-4.5 VDC ratiometric output options
- Resistant to harsh environmental conditions and vibration
- IP67 high protection class
- Long service life
- Compact design
- High accuracy



The RCS 2100 series sensors are used for taking angle measurement between The measuring limits can be adjusted between 0-360 ° depending on the user request. They have 0-5V, 0-10V, 4-20mA or ratiometric output options.



RCS 2100 angle sensors with high accuracy, compact design and robust construction; offers suitable solutions for angle measurement in industrial areas like crane and lifting systems, robotic systems, solar energy, wind power plants, auto parts etc. Thanks to their high IP protection class, they can work in harsh environmental conditions.

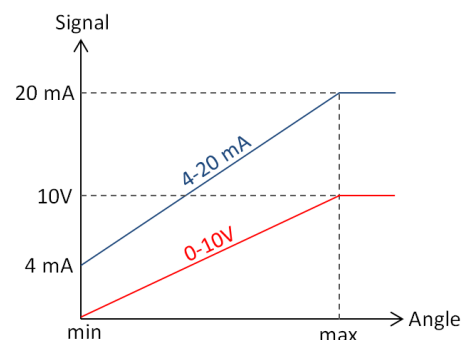
TECHNICAL SPECIFICATIONS

*Measuring Range	Can be produced in the desired range from 0 to 360 °				
Measuring Type	Magnetic, non-contact				
Linearity	±%0.5 FS				
Resolution	12 bit				
Repeatability	0.1°				
Response Frequency	250 Hz				
*Output Signal		0,5...4,5VDC Ratiometric	0...5VDC	0...10VDC	4...20 mA
	Supply Voltage	5 VDC	5 VDC or 9...32VDC	15...32 VDC	9...32 VDC
	Load	≥ 1KΩ	≥ 1KΩ	≥ 1KΩ	0...250 Ω
Current Consumption	30 mA max.				
Reverse Polarity Protection	Yes, only supply				
Electrical Connection	3 x 0,14 mm ² shielded cable				
Max Operational Speed	mechanically unlimited				
Protection Class	IP67				
Operating Temperature	-25°C ... +85°C				
Weight	~50 gr				
Material	Body: Aluminum				
	Magnet: Aluminum				

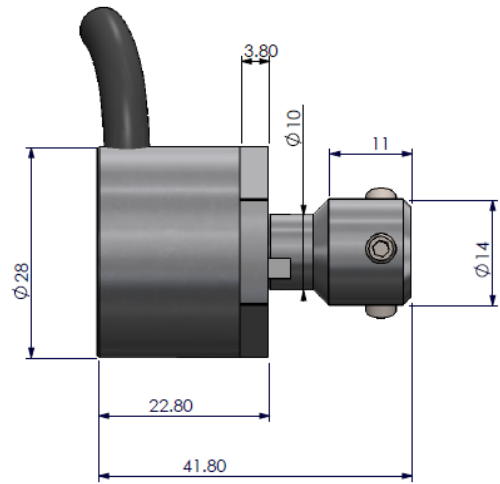
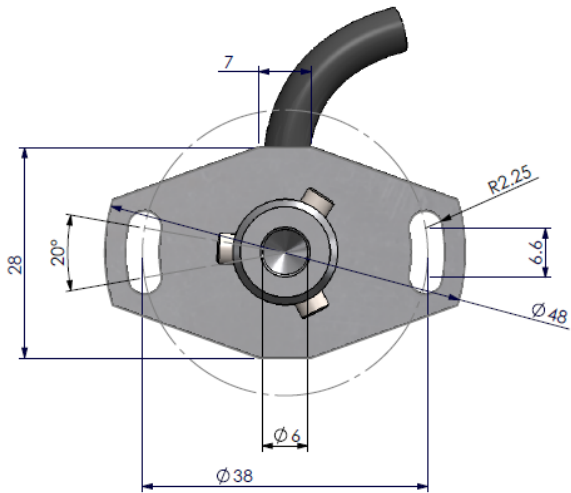
Note: The specifications specified by (*) vary depending on the model selected. The detailed code table for product selection is shown on page 3.

ELECTRICAL CONNECTION

	
SIGNAL	CABLE COLOR
+V	Red
0V	Black
Output Signal	Yellow



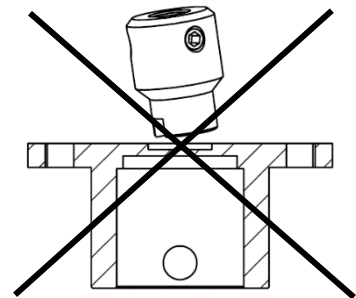
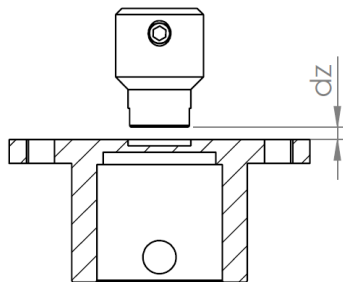
MECHANICAL DIMENSIONS (mm)



MOUNTING INFORMATION

Working Position

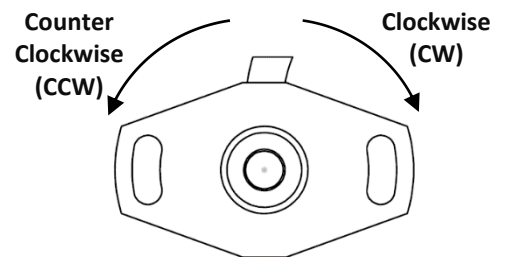
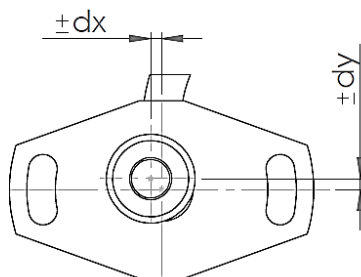
dz: 0,8 mm max.



Max. misalignment value of magnet

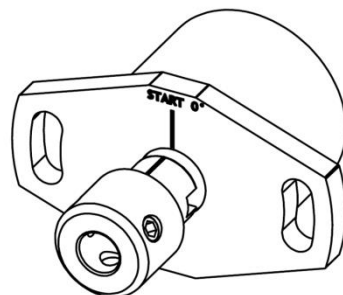
dx: ±0,25 mm max.

dy: ±0,25 mm max.



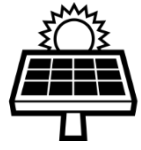
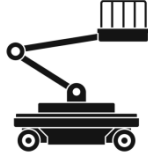
0° Point

The point where the guiding lines on the body and the magnet intersect is the 0° point.

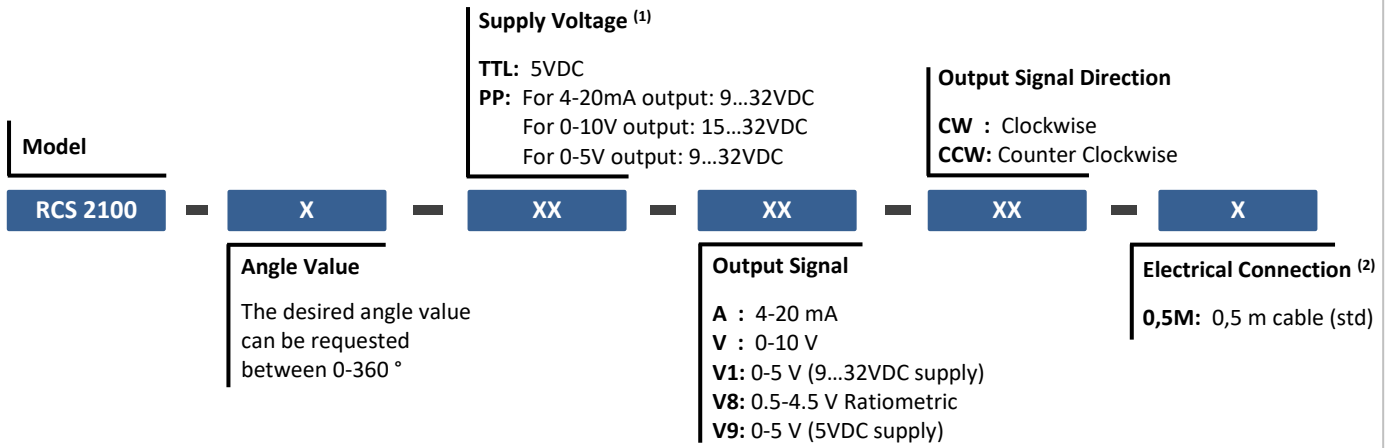


SAMPLE APPLICATION FIELDS

- Robotic systems
- Auto parts
- Solar and photovoltaic systems
- Automated guided systems
- Crane and lifting technology
- Wind power plant



PRODUCT CODE



- (1) When the output signal is selected as 4-20 mA (A), 0-10V (V) or 0-5V (V1), the supply voltage must be PP
When the output signal is selected as 0.5-4.5V Ratiometric (V8) or 0-5V (V9), the supply voltage must be TTL.
- (2) Optionally, different cable lengths can be requested.

Sample Code: RCS 2100-30-PP-V-CW-0,5M

RCS 2100 series, 0-30° measuring range, PP supply, 0-10V output, Output signal direction is clockwise, 0.5 m cable

Atek Elektronik Sensör Teknolojileri Sanayi ve Ticaret A.Ş.



Gebze OSB, 800. Sokak, No:814 Gebze/KOCAELİ/TURKEY



Tel: +90 262 673 76 00



Fax: +90 262 673 76 08



www.ateksensor.com



info@ateksensor.com