

- Piezoresistive measurement principle
- Ceramic membrane
- Long-term stable operation
- EMC and Reverse Polarity protection
- 4-20 mA or 0-10 V analog output
- Different level measuring between 4 meters and 100 meters
- IP68 protection class
- High quality
- Reasonable price, economical solution



PTL 120 level pressure sensors with piezoresistive working principle; are used for level measurement in applications like waste waters, grey waters, reservoirs, sea and salt waters etc. With its ceramic membrane structure, it has high corrosion resistance and is highly resistant to salt water.

With its stainless steel housing with IP68 protection class, it can work in harsh environments.

Thanks to the surge voltage and reverse polarity protection, the PTL 120 series are unaffected by electrical fluctuations and reverse connections.

Optionally configurable pressure ranges, analog output and mechanical connection options offer solutions suitable for various applications.

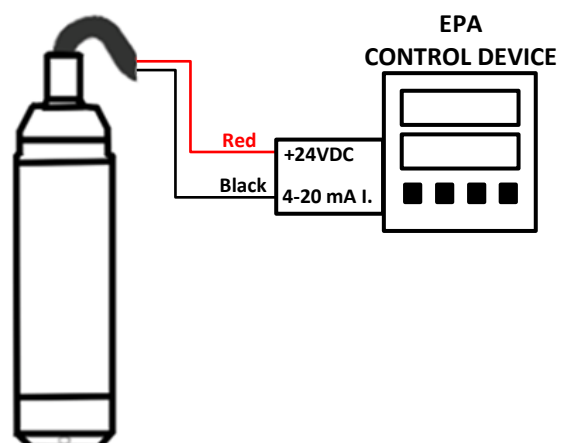
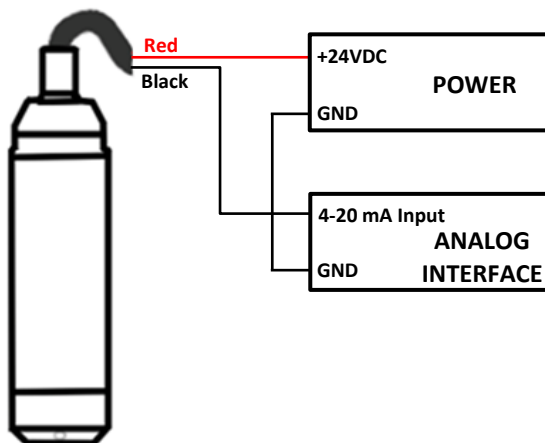
### TECHNICAL SPECIFICATIONS

<b>Measuring Range</b>	Different models between 400 mbar and 25 bar can be selected	<b>Electrical Connection</b>	3 x 0,22 mm <sup>2</sup> shielded cable Cable outer diameter: 7,5 ±0,2 mm Drain pipe diameter: 2 mm (Cable length according to level value)
<b>Measuring Principle</b>	Piezoresistive		<b>Operating</b>
<b>Membrane</b>	Ceramic	<b>Storage Temperature</b>	-20°C ... +70°C
<b>O-Ring</b>	NBR	<b>Protection Class</b>	IP68
<b>Maximum Pressure</b>	%200 FS	<b>Material</b>	Housing: 1.4462 (duplex), 1.4404 (AISI 316L), Titanium Cable: PE (polythene)
<b>Precision</b>	%0,3		<b>Weight</b>
<b>Electrical Interface</b>	<b>Output Signal</b>	<b>Supply Voltage</b>	<b>EMC Protection</b>
	0...10 VDC (3 wire)	12...30 VDC	
	4...20 mA (2 wire)	8...32 VDC	

### ELECTRICAL CONNECTION

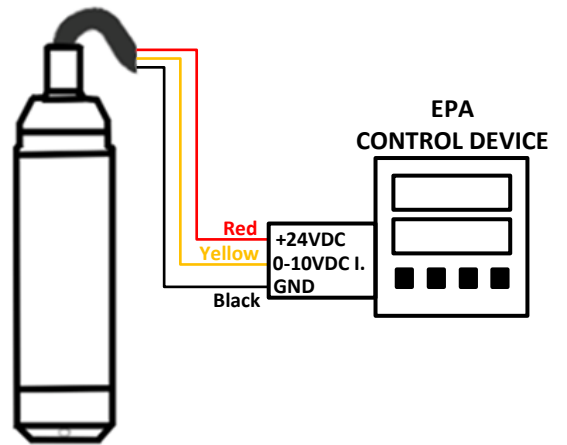
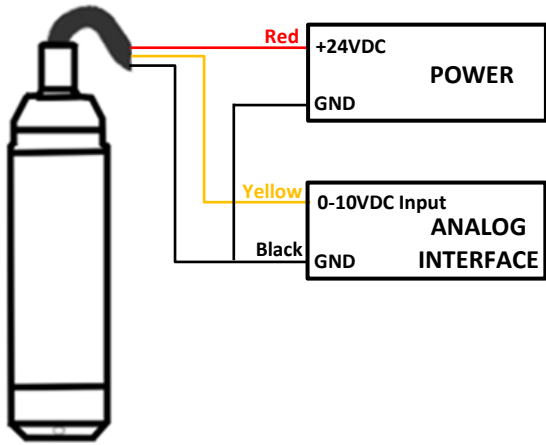
#### 4-20 mA Connection

Signal	Cable
+8...32 VDC ( + supply)	Red
4-20 mA	Black



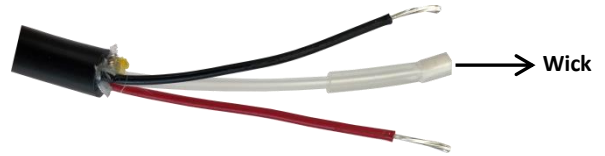
### 0-10 VDC Connection

Signal	Cable
+12...30 VDC (+ supply)	Red
GND	Black
0-10 VDC	Yellow



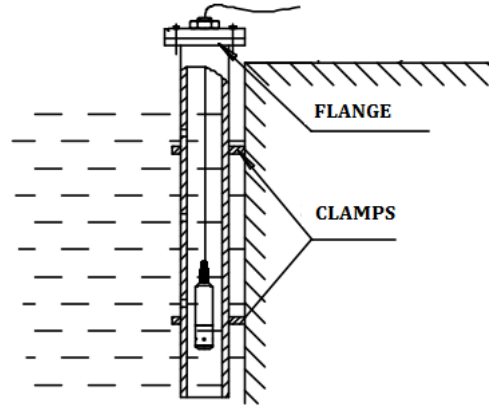
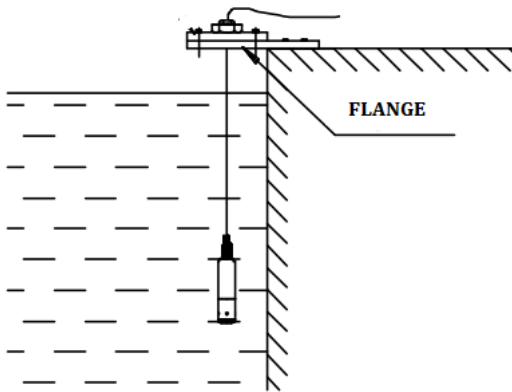
#### WARNING!!!

If the wick in the drain pipe is removed, the product will be out of warranty.

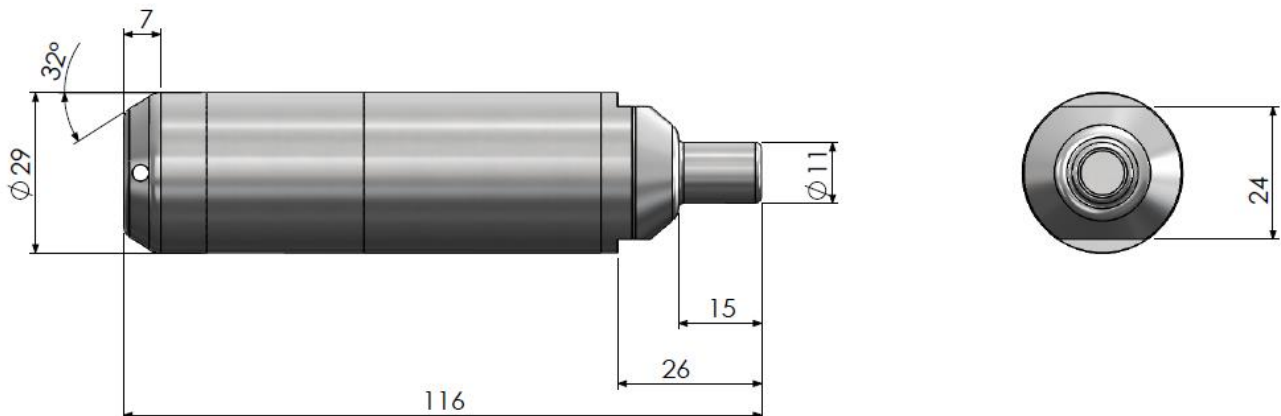


### SAMPLE APPLICATION

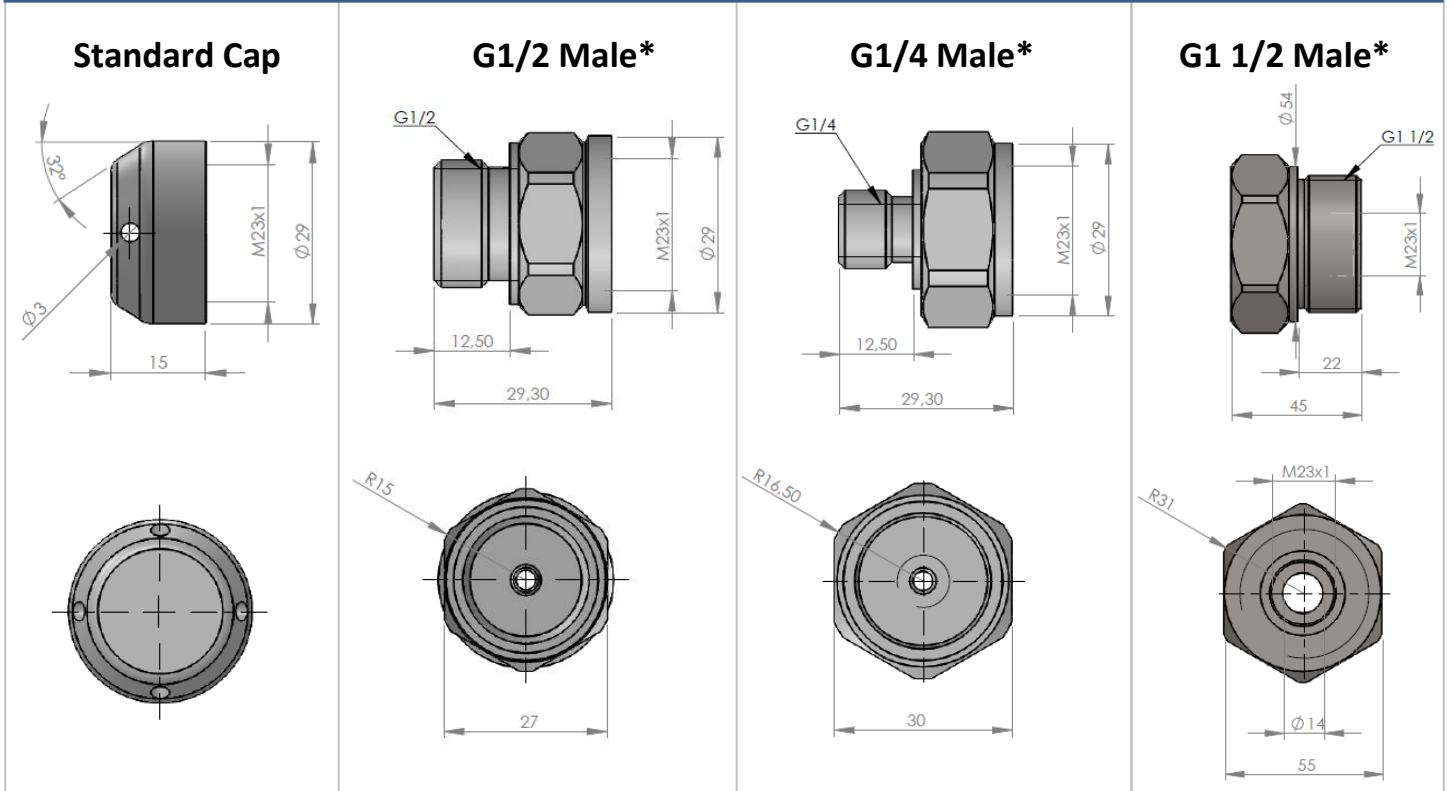
During the application, the product free submerge. Dams, rivers and streams of the product against a surge in applications should be suspended through the pipes.



### MECHANICAL DIMENSIONS (with standard cap) (in mm)



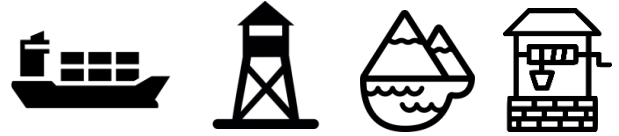
## MECHANICAL CONNECTION OPTIONS



Fittings marked with (\*) are optional.

## SAMPLE APPLICATION FIELDS

- Seawater, saline water applications
- Grey water, waste water
- Wells
- Water Tanks
- River Level
- Lake Level
- Reservoirs



## ORDER CODE

<b>Model</b>	<b>Output Signal</b>		<b>Cable Length</b>	
	V : 0-10 VDC A : 4-20 mA		5M : 5 meters 8M : 8 meters 10M: 10 meters * Must be selected 1 meter above the value to be measured in liquid level measurement	
PTL 120	XX	X	XX	XX
<b>Pressure</b>		<b>Mechanical Connection</b>		<b>Body Material</b>
Different models between 400 mbar and 25 bar can be selected *(For water, 1 meter level = 100 millibar)		No Code : Standard Cap G1/4 : G1/4 Connection G1/2 : G1/2 Connection G1.1/2 : G1 1/2 Connection		E300: 1.4462 (duplex) E316: 1.4404 (AISI 316L) E100: Titanium

Product	Housing	Cable Material	O-Ring	Applications
PTL 110	1.4404 (AISI 316L)	PE (polythene)	NBR	Wells, water tanks, lake level, river level, reservoirs, grey waters, waste waters
PTL 120	1.4462 (duplex)	PE (polythene)	NBR	Sea water, saline water
	1.4404 (AISI 316L)			Wells, water tanks, lake level, river level, reservoirs, grey waters, waste waters
PTL 130	1.4404 (AISI 316L)	PTFE (polytetrafluorethylene)	Viton (FKM)	Oils and fuels

Atek Elektronik Sensör Teknolojileri Sanayi ve Ticaret A.Ş.



Gebze OSB, 800. Sokak, No:814 Gebze/KOCAELİ/TURKEY

