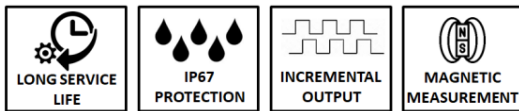




- High accuracy and repeatability
- Magnetic measurement
- Contactless / non-friction system
- Slim profile structure
- High tolerance to vibration and shocks
- Resistant to dust, oil and moisture
- No maintenance required
- Robust aluminum body
- IP67 protection class
- Easy installation

MLC 320 magnetic linear encoder systems measure non-contact and gives an output signal as an incremental encoder pulse.

They are not affected by external factors due to its slim and compact design. MLC 320 sensor is housed along the aluminum profile. Extra protection from dust, dirt and chips is provided by having a seal protection system. It is the ideal solution for machining environments.



#### MLC 320 Series Linear Encoders Are Mainly Used In:

- Lathes, Milling, Drilling, Grinding Machines
- Sheet Metal Working Machines
- Welding Machines
- Bending Machines
- Robotics/Materials Handling
- Marble Machines
- Wood Cutting Machines
- PVC Profile Cutting Machines
- Glass Working Machinery
- Etc...**

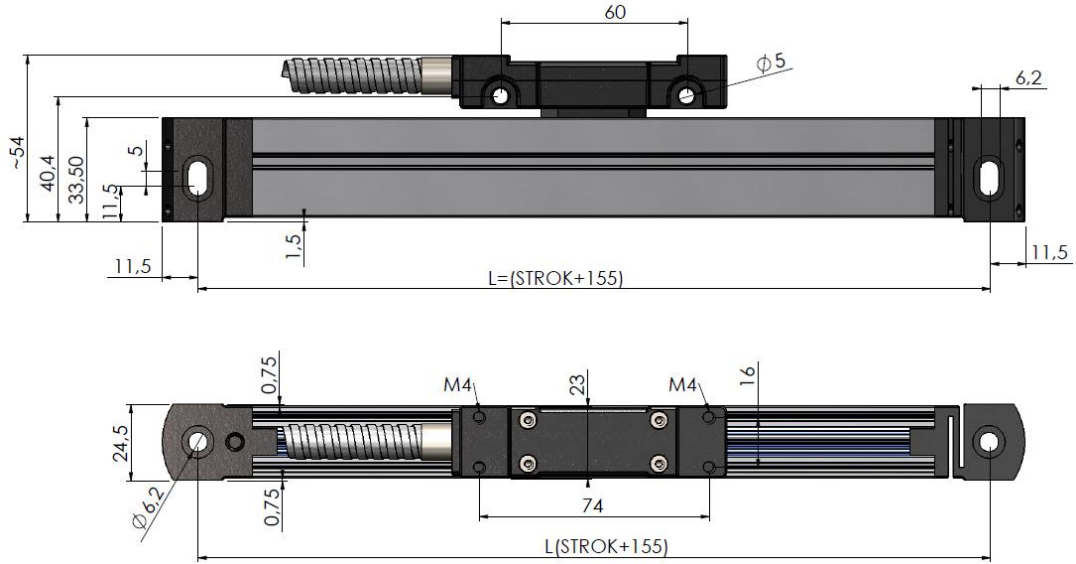
Technical Specifications	
<b>Resolution</b>	1µm, 5µm, 10µm, 25µm, 50 µm, 62.5µm, 80µm (optional other resolutions)
<b>Measuring Principle</b>	Magnetic
<b>Output Type</b>	Push-Pull or TTL RS422 Line Driver
<b>Output Signals</b>	A, /A, B, /B, Z, /Z
<b>Input Current</b>	Maximum 40 mA per Channel
<b>Supply Voltage</b>	PPL: 10..30 VDC or TTL: 5 VDC
<b>Body Material</b>	Sensor: Nickel Plated Aluminum Scale Profile: Anodized Aluminum
<b>Electrical Connection</b>	D-Sub 9 Pin, 5 or 8 x 0,14 mm <sup>2</sup> shielded cable
<b>Tape Reading Distance</b>	0,1 mm to 2 mm
<b>Accuracy</b>	± 40 µm/m or ± 20 µm/m
<b>Operating Speed</b>	3 m/s
<b>Repeatability</b>	± 1 Pulse
<b>Operating Temperature</b>	-25°C ... +85°C
<b>Protection Class</b>	IP67

#### Standard Stroke Lengths (mm)

100	120	150	170	200	220	250	270	300	320
350	370	400	420	450	470	500	520	550	570
600	650	700	750	800	850	900	950	1000	

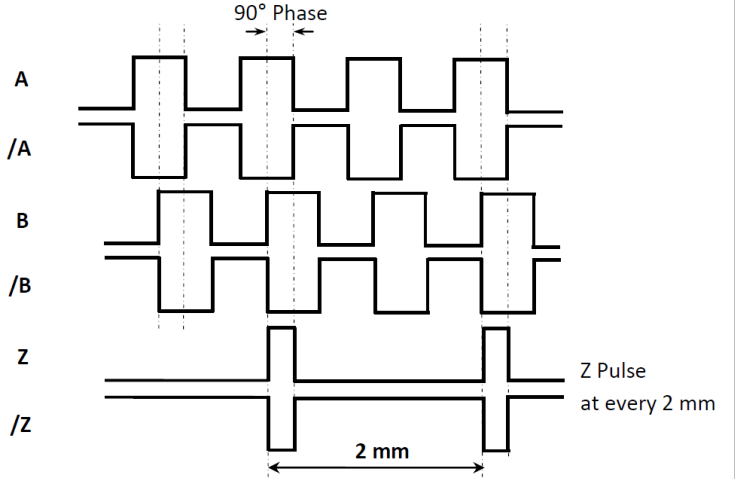
\*Please contact for other strokes.

## Mechanical Dimensions



## Electrical Connections

SIGNAL	CABLE COLOR	D-SUB 9 PIN / SOCKET PIN NO
A	Yellow	1
/B	White	2
+V	Red	3
0V	Black	4
/A	Blue	5
B	Green	6
/Z	Grey	7
Z	Pink	8
-	Shield	9



## Order Details

**Magnetic Tape**

B2

**Power Supply and Output**

TTL : 5VDC Supply Voltage,  
5 VDC TTL RS422 Line Driver Signal Output  
PP : 10...30 VDC Supply Voltage,  
10...30 VDC Push-Pull Signal Output  
HTL : 10...30 VDC Supply Voltage,  
5 VDC TTL RS422 Line Driver Signal Output  
HPL : 5...30 VDC Supply Voltage,  
5...30 VDC Push-Pull Signal Output

**Cable Length**

3M : 3 meters  
3.5M : 3,5 meters  
4M : 4 meters  
5M : 5 meters  
6M : 6 meters  
7M : 7 meters  
8M : 8 meters  
9M : 9 meters  
10M : 10 meters  
15M : 15 meters  
\* Please ask for other options

MLC320

XX

XX

XXX

X

XX

X

XXX mm

**Model**

**Resolution**

01 : 1µm | 05 : 5µm  
10 : 10µm | 25 : 25µm  
50 : 50µm | 62,5 : 62,5µm  
80 : 80µm

**Signal Output Types**

2 : A, B  
3 : A, B, Z  
4 : A, /A, B, /B  
6 : A, /A, B, /B, Z, /Z  
Standard, Z Signal at every 2 mm

**Cable Type**

C : PUR Cable  
S : Spiral

**Measuring Stroke**

See standard stroke lengths table, contact for other stroke lengths.