



GENERAL FEATURES

- 60°, 90°, 345°, 350°, 355° electrical angle
- 6 mm or 6,34 mm shaft diameter
- 50.8 mm body diameter
- Potentiometric, 0-10V, 4-20 mA or 0-20mA output
- High linearity up to $\pm 0.5\%$
- Long life up to 10 million movements
- IP40 protection class
- No mechanical rotation limitation

APPLICATION FIELDS

- Textile machinery
- Automatic door control systems
- Automotive
- All kinds of control and measurement applications

TECHNICAL FEATURES

Electrical Data

Independent Linearity	$\pm 0.5\%$	
Repeatability	0.1° max.	
Output Type	Potentiometric	0-10V, 4-20 mA, 0-20 mA
Electrical Angle	60°, 90°, 345°, 350°, 355°	
Supply Voltage	42V max.	12...30 VDC
Resistance Values	1K, 2K, 5K, 10K	-
Resistance Tolerance	$\pm 20\%$	-
Resistance Element	Conductive Plastic	-
Resolution	Infinite	12 bit
Recommended Wiper Current	100 μ A max.	-
Minimum Life (electrical)	10 million movements	
Electrical Connection	3x0,102 mm ² soft PVC cable (standard 1m, optional others)	

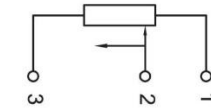
Mechanical Data

Dimensions	See mechanical dimensions table
Size	Servo size 20
Mounting	With 3 clamps
Mechanical Angle	360°, continuous
Torque	0.5 Ncm max.
Maximum Operational Speed	1000 RPM
Body Material	Aluminum
Shaft Material	Stainless Steel
Operating Temperature	-25°C ... +75°C
Storage Temperature	-25°C ... +105°C
Protection Class	IP40
Weight (with 1 m cable)	80 gr

ELECTRICAL CONNECTIONS

Potentiometer Connection

SIGNAL	CABLE COLOR
+V	Green (1)
Potentiometric output	Red (2)
-V	Yellow (3)



Potentiometer connection
(voltage divider)

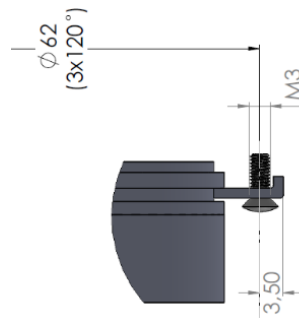
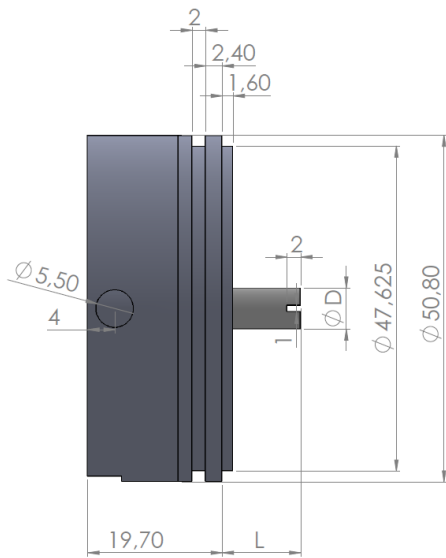
0-10V Connection

SIGNAL	CABLE COLOR
+VDC	Green
Analog Output	Red
-VDC	Yellow

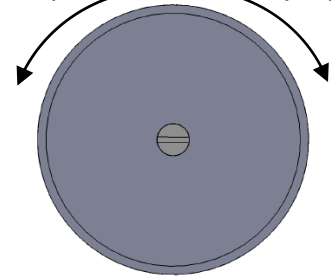
4-20mA or 0-20 mA Connection (2-wire)

SIGNAL	CABLE COLOR
+VDC	Red
Analog Output	Green Yellow

MECHANICAL DIMENSIONS (mm)



Counter Clockwise (CCW) Clockwise (CW)



∅D (mm)	6	6,34
L (mm)	11,50 or 21,6 mm	15,90 or 21,6 mm

ORDER CODE

Model

Angle

60	: 60°
90	: 90°
345	: 345°
350	: 350°
355	: 355°

Cable Length

1M: 1 meters (standard)
*Optional others

Output Type

No Code: Potentiometric
A0: 0-20 mA (CW)
NA0: 0-20 mA (CCW)
A: 4-20 mA (CW)
NA: 4-20 mA (CCW)
V: 0-10 V (CW)
NV: 0-10 V (CCW)
*CW: Clockwise
CCW: Counter Clockwise

ERP - XXX - XXX - XX - XXX - XX - XXX

Body Diameter

50: 50.8 mm

Resistance Value

1K: 1K
2K: 2K
5K: 5K
10K: 10K

*Resistance value selection is only available in potentiometric output model.

Shaft Diameter

6: 6mm (shaft length: 11,5 mm)
6B: 6mm (shaft length: 21,6 mm)
6.34: 6.34mm (shaft length: 15,9 mm)
6.34B: 6.34mm (shaft length: 21,6 mm)

Sample Order Code:

Potentiometric output: ERP 050-60-5K-1M-6

Analog output: ERP 050-60-1M-6-A