



#### Applications

- Textile sector
- Fabric dyeing machines
- Pneumatic Systems
- Hydraulic Systems
- Machines Equipments
- Air Cooling – Heating Systems
- Water Technologies
- Automation Applications

Atek BTE 22 series level transmitters offer high performance for demanding commercial and heavy industry applications.

These sensors with piezoresistive working principle can be used in water, air, oil etc. applications. They need an air insulated mounting method.

The standard stainless steel housing with IP65 protection can work in harsh environments.

The BTE 22 series, which is not affected by electrical fluctuations and reverse connections due to over voltage and reverse polarity protection, has a long life.

All models from 0...100mbar to 0...600mbar can be produced.

- Piezoresistive pressure sensor
- 23 mm body diameter
- Long-term excellent work
- Air isolated mounting
- Stainless steel case
- EMC and reverse polarity protection
- Analog 4 ... 20mA / 0 ... 10VDC etc. different outputs
- Different models from 100 milibar to 600 milibar

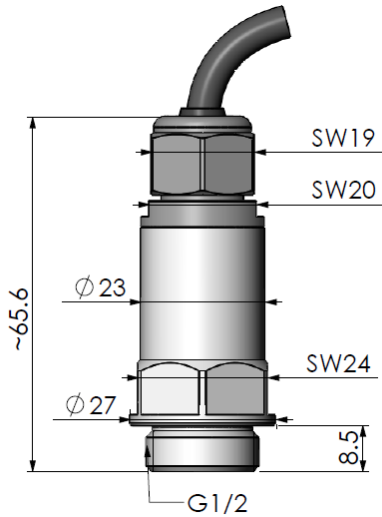
#### TECHNICAL SPECIFICATIONS

Measurement Range	Different models from 0...100mbar to 0...600mBar
Measurement Type	Ambient pressure measurement as relative Air, Water, Oil, Non-explosive gases
Media Isolation	Air
Working Principle	Piezoresistive
Maximum Compressive Strength	300% FS *Can be 3 or 5 times.
Oring – Sealing	EPDM
Output Signal	4...20mA (2-wire), 0...20mA (3-wire) 0...10VDC, 1...6VDC, 0...5VDC, Ratiometric etc.
Mechanical Connection	G1/2, G1/4
Supply Voltage	<b>4-20 mA</b> : 8 ... 32 V <sub>DC</sub> <b>0-20 mA</b> : 12 ... 30 V <sub>DC</sub> <b>0-10 V</b> : 12 ... 30 V <sub>DC</sub> <b>Ratiometric</b> : 5 V <sub>DC</sub>
Operating Current	Maximum 30mA
Resolution	12 Bit
Accuracy	±%0,3 FS @25° C
Long Term Stability	±%0,3 FS / year
Response Time	1ms %10...%90 nominal pressure
Protection Class	IP65
Operating Temperature	-40°C ... +85°C
Ambient Temperature	-40°C ... +85°C
Body	1.4404 (AISI 316L stainless steel)
Electrical Connection	3 x 0,22 mm <sup>2</sup> PE cable Cable outer diameter: 7,9 ±0,10 mm Drain pipe diameter: 2 mm
Mounting / Tightening Torque	15 ... 20 Nm

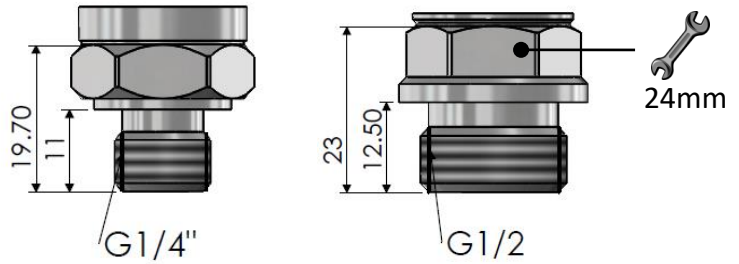
F.S : Full Scale ( working pressure range )

\* Product life will be shortened when more pressure is given than working pressure According to the product, it may be damaged at high pressure of 3-5 times.

## MECHANICAL DIMENSIONS



## MECHANICAL CONNECTION

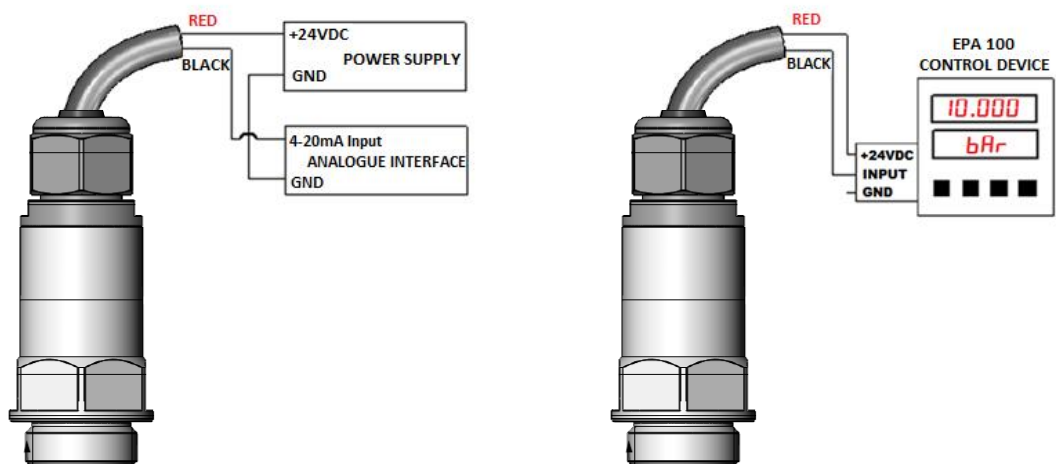


## ELECTRICAL CONNECTIONS

		 CABLE COLOR
CURRENT OUTPUT	+Vcc	RED
	Analog Output	BLACK
VOLTAGE OUTPUT	+Vcc	RED
	GND	BLACK
	Analog Output	YELLOW

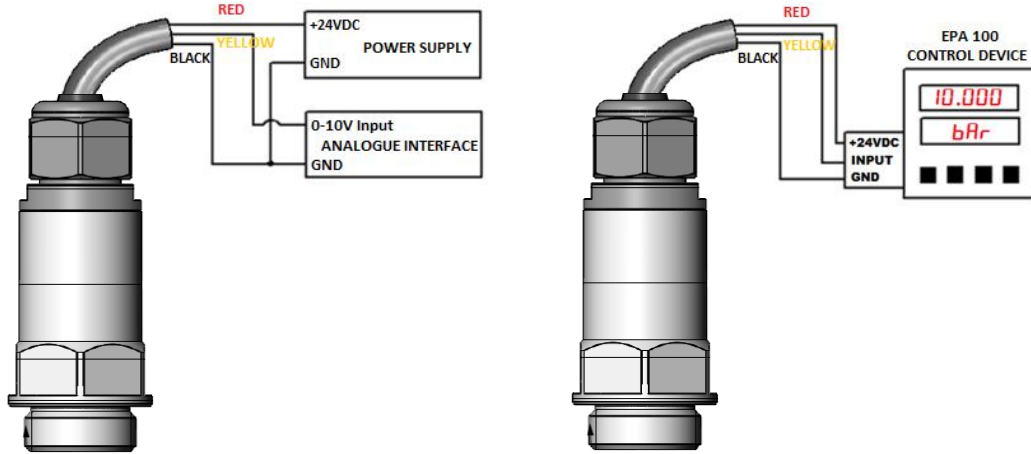
2 Wire 4-20mA Connection Cable Color	Signal
<b>BLACK</b>	4...20mA Analog Output
<b>RED</b>	<b>+8...32 VDC (Supply)</b>

### Sample Connection:



3 Wire 0-10VDC or 0-20 mA Connection Cable Color	Signal
BLACK	GND
RED	+12...30 VDC (Supply)
YELLOW	0...10VDC or 0-20 mA Output

### Sample Connection:



### ORDER CODING

#### Output Signal

Voltage Output Product

- V : 0-10VDC (standard)
- V1 : 0-5VDC
- V2 : 1-6VDC
- V3 : 0,5-4,5VDC
- V4 : 0,5-5,5VDC
- V5 : 1-5VDC
- V6 : 1-10VDC

Ratiometric Products

- V8 : Ratiometric 0.5-4.5VDC
- V9 : Ratiometric 0-5VDC

Current Output Products

- A : 4-20mA (2-wire) (standard)
- A0 : 0-20mA (3-wire)

\* Ask for other options.

#### Sensor

SE : Silicon EPDM

### Model

**BTE 22** — **100mBar** — **A** — **G1/2** — **SE** — **2M**

#### Working Pressure Range

- 100mBar : 0...100mbar
- 200mBar : 0...200mbar
- 300mBar : 0...300mbar
- 400mBar : 0...400mbar
- 500mBar : 0...500mbar
- 600mBar : 0...600mbar

\* Ask for other options.

#### Mechanical Connection

- G1/2 : G1/2 connection
- G1/4 : G1/4 connection

\* Ask for other options.

#### Electrical Connection

- 2M : 2 meters cable with drain pipe (standard)

\* Ask for other options.

#### Sample Code:

BTE 22 100mBar A G1/2 SE 2M

Features : 0...100mbar working range, 4-20mA analog output (2-wire connection), G1/2 connection, Silicon EPDM sensor, 2 meters cable with drain pipe

Atek Elektronik Sensör Teknolojileri Sanayi ve Ticaret A.Ş.



Gebze OSB, 800. Sokak, No:814 Gebze/KOCAELİ/TURKEY

Tel: +90 262 673 76 00

Fax: +90 262 673 76 08

[www.ateksensor.com](http://www.ateksensor.com)

[info@ateksensor.com](mailto:info@ateksensor.com)