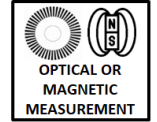
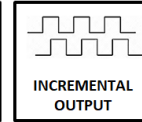




GENERAL SPECIFICATIONS

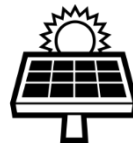
- Incremental measurement with Optical (ARC) or Magnetic (ARS) principle
- Resolution up to 20.000 pulses for Optical (ARC) and 1024 pulses for Magnetic (ARS)
- 50 mm body diameter
- 6 mm, 8 mm, 10 mm or 12 mm hollow shaft options
- Optical (ARC): 6000 RPM, Magnetic (ARS): 3000 RPM operating speed
- 300 KHz response frequency
- High accuracy
- Robust structure, long operating life
- Connection with cable or socket
- IP54 protection class



The ARX B 50 series rotary encoders measure on an optical (ARC) or magnetic (ARS) principle and operate incrementally. The ARC series operating on the optical principle offers a resolution of up to 20.000 pulses per revolution and the ARS series operating on the magnetic principle up to 1024 pulses.

APPLICATIONS

- Wind Applications / Power Plants
- Marine or Utility Vehicle Applications
- Press or Wood and Stone Processing Machinery
- Construction Machinery
- Cranes
- Offshore Applications
- Commercial Solar Plants
- Filling Plants
- Food & Beverage Applications
- Oil & Gas - Pipe Handling and Cranes

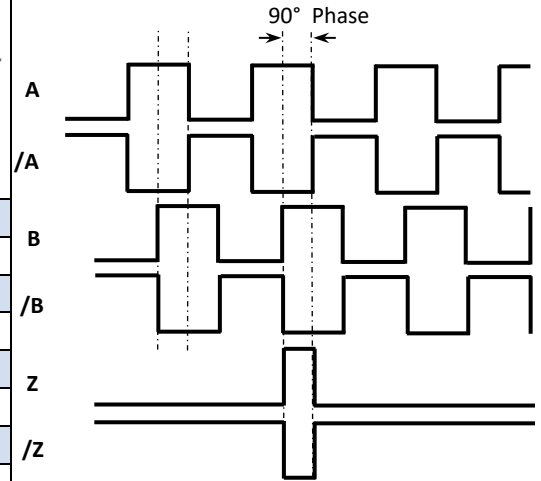


TECHNICAL SPECIFICATIONS

Resolution	ARC: Resolution options up to 20.000 pulses ARS: Resolution options between 1 and 1024 pulses						
Operating Speed	ARC: 6000 RPM, ARS: 3000 RPM max.						
Measuring Type	ARC: Optical, ARS: Magnetic						
Response Frequency	300 KHz						
Current Consumption	50 mA nominal						
Electrical Interface		PP	TTL	HTL	HPL	OCL	OCP
	Supply	10...30 VDC	5 VDC	10...30 VDC	5...30 VDC	The supply signal should not be lower than the output signal	
	Output	10...30 VDC PP	5 VDC TTL	5 VDC TTL	5...30 VDC PP	NPN Open Collector	PNP Open Collector
Output Signals	A, /A, B, /B, Z, /Z						
Output Current	100 mA max. (per channel)						
Electrical Connection	5 or 8x0,14 mm ² shielded cable, M16 / 8 pin male connector						
Body Diameter	50 mm						
Hollow Shaft Diameter	6 mm, 8 mm, 10 mm or 12 mm						
Operating Temperature	-25...+85 °C						
Storage Temperature	-40...+100 °C						
IP Protection Class	IP54						
Weight	~180 gr						
Material	Body: Aluminum						
	Shaft: Stainless Steel						

ELECTRICAL CONNECTIONS

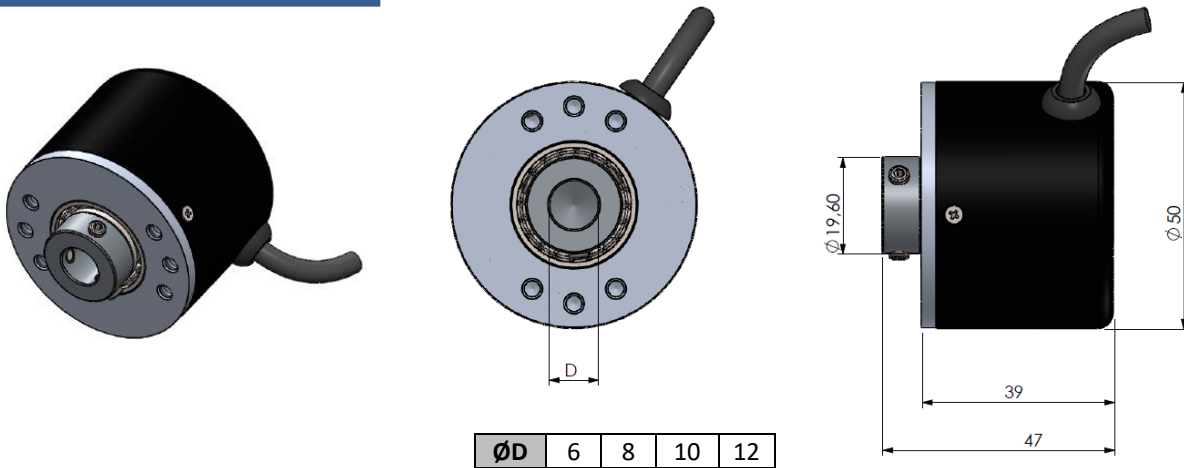
SIGNAL	M16 MALE SOCKET (S16) PIN NO	M16 CABLE TYPE MALE SOCKET (S21M) PIN NO	M16 CABLE TYPE FEMALE SOCKET (S21F) PIN NO	CABLE COLOR
A	1	1	1	YELLOW
/B	2	2	2	WHITE
+V	3	3	3	RED
0 V	4	4	4	BLACK
/A	5	5	5	BLUE
B	6	6	6	GREEN
/Z	7	7	7	GREY
Z	8	8	8	PINK



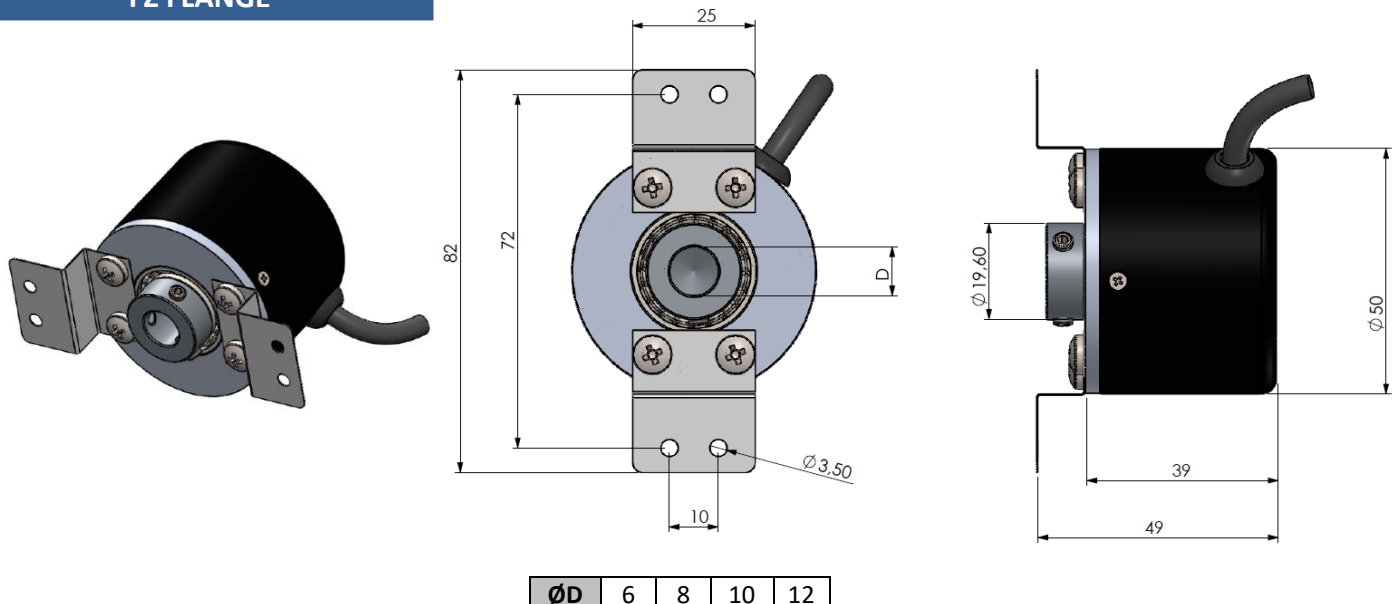
The table above shows the cable colors of the sensor output signals. If the control circuit is suitable in the Line Driver sensors of the not output signals (/A, /B, /Z) have to be added to the system. If it is not suitable /A, /B, /Z signal cables must be fixed as insulated separately. Don't forget that these edges have electricity too.

MECHANICAL DIMENSIONS (mm)

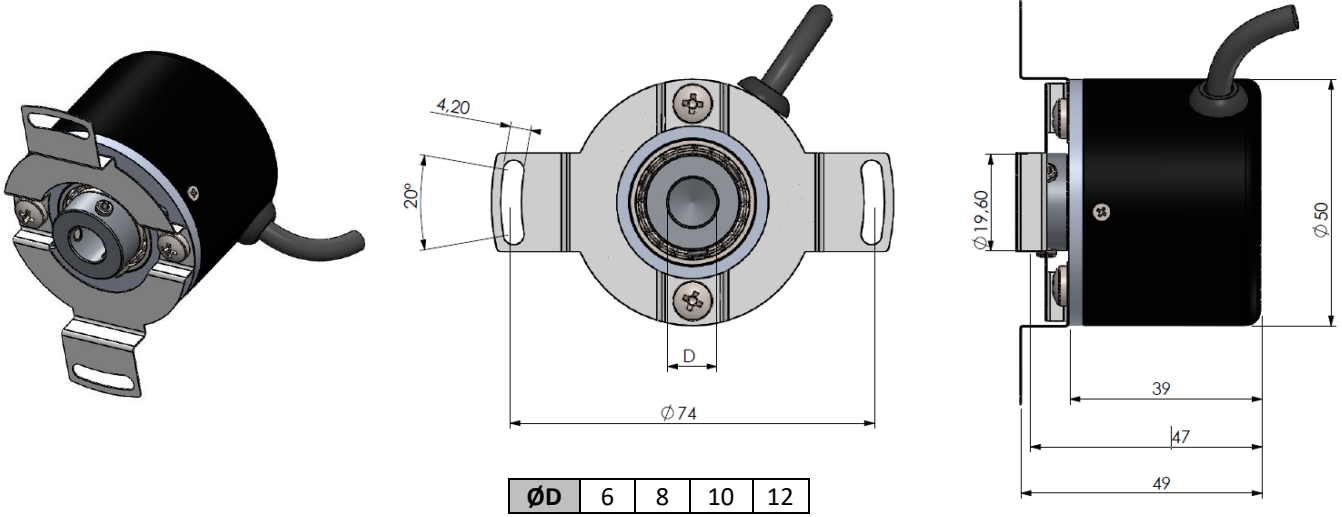
Encoder Dimensions



FZ FLANGE



FC FLANGE



PRODUCT CODE

Model ARC : Optical ARS : Magnetic		Body Diameter 50 : 50 mm		Supply and Output PP : 10...30 VDC Supply : 10...30VDC Output TTL : 5 VDC Supply : 5 VDC TTL RS422 Line Driver Out. HTL : 10...30 VDC Supply : 5 VDC TTL RS422 Line Driver Out. HPL : 5...30 VDC Supply : 5...30 VDC Push-Pull Output OCL : NPN Open Collector OCP : PNP Open Collector		Electrical Connection ⁽¹⁾ 3M : 3 m cable (standard) 5M : 5 m cable 10M : 10 m cable S16 : M16 Socket *Ask for other options		Hole Diameter 6 : 6 mm 8 : 8 mm 10 : 10 mm 12 : 12 mm	
ARX	X	XX	XXXX	XXX	X	XX	XX	XX	XX
Shaft Type B : Semi Hollow Shaft		Resolution See Resolutions*		Output Signals 2 (A,B) 3 (A,B,Z) 4 (A,/A,B,/B) 6 (A,/A,B,/B,Z,/Z)		Cable Direction ⁽²⁾ A : From backside Y : From side AS : From backside + spiral		Flange Type FZ : Z type FC : Circular	

- (1) The M16 (S16) socket can only be from the backside. Optionally, different cable lengths or socket models can be requested.
(2) Cable direction can be selected from backside or side
PG7 gland is used when the cable direction is from the rear, PG7 gland is not used when the cable direction is from the back.

*Resolutions:

Optical: 60 - 100 - 360 - 500 - 1024 - 2000 - 2048 - 2500 - 3600 - 4096 - 5000 - 8192 - 10000 - 16384 - 20000 pulse


Magnetic: All resolution options from 1 to 1024 pulses.


Örnek Kodlama:


ARC-B-50-1024-PP-6-10M-A-8-FC

Optical, semi hollow shaft, 50 mm body diameter, 1024 pulses, Push-Pull, 6 output signals, 10 meters cable from backside, 8 mm shaft, Z type flange

Atek Elektronik Sensör Teknolojileri Sanayi ve Ticaret A.Ş.

 Gebze OSB, 800. Sokak, No:814 Gebze/KOCAELİ/TURKEY

 Tel: +90 262 673 76 00

 Tel: +90 262 673 76 00

 www.ateksensor.com

 info@ateksensor.com