

# INCREMENTAL ROTARY ENCODER

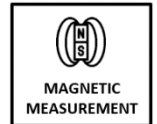
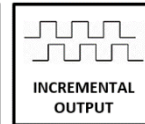
“Magnetic Measurement, 37 mm Body Diameter, Semi Hollow Shaft”

**ARS B 37**



## GENERAL SPECIFICATIONS

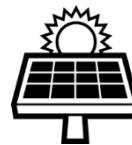
- Incremental measurement with magnetic principle
- Resolution up to 1024 pulses
- 37 mm body diameter
- 4 mm, 5 mm or 6 mm semi hollow shaft
- 3000 RPM operating speed
- 300 KHz response frequency
- High accuracy
- Robust structure, long operating life
- Compact design
- IP54 protection class



ARS B 37 series rotary encoders measure with magnetic principle and operate incrementally. It offers resolution up to 1024 pulses per revolution. In these encoders with 37 mm compact body; 4, 5 or 6 mm semi-hollow shaft option are available.

## APPLICATIONS

- Wind Applications / Power Plants
- Marine or Utility Vehicle Applications
- Press or Wood and Stone Processing Machinery
- Construction Machinery
- Cranes
- Offshore Applications
- Commercial Solar Plants
- Filling Plants
- Food & Beverage Applications
- Oil & Gas - Pipe Handling and Cranes



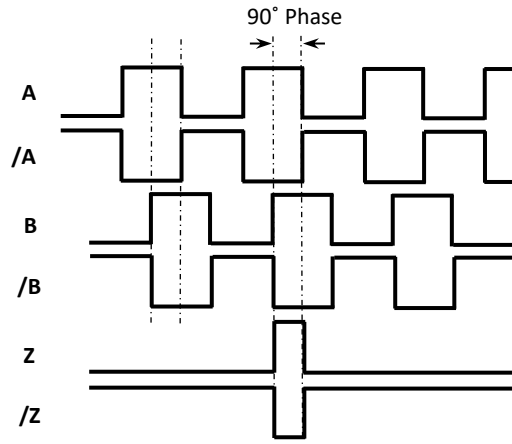
## TECHNICAL SPECIFICATIONS

<b>*Resolution</b>	Resolution options between 1 and 1024 pulses						
<b>Operating Speed</b>	3000 RPM max.						
<b>Measuring Type</b>	Magnetic						
<b>Response Frequency</b>	300 KHz						
<b>Current Consumption</b>	50 mA nominal						
<b>*Electrical Interface</b>		<b>PP</b>	<b>TTL</b>	<b>HTL</b>	<b>HPL</b>	<b>OCL</b>	<b>OCP</b>
	<b>Supply</b>	10...30 VDC	5 VDC	10...30 VDC	5...30 VDC	The supply signal should not be lower than the output signal	
	<b>Output</b>	10...30 VDC PP	5 VDC TTL	5 VDC TTL	5...30 VDC PP	NPN Open Collector	PNP Open Collector
<b>*Output Signals</b>	A, /A, B, /B, Z, /Z						
<b>Output Current</b>	100 mA max. (per channel)						
<b>*Electrical Connection</b>	5 or 8x0,14 mm <sup>2</sup> shielded cable						
<b>Body Diameter</b>	37 mm						
<b>*Shaft Diameter</b>	4 mm, 5 mm or 6 mm						
<b>Operating Temperature</b>	-25...+85 °C						
<b>Storage Temperature</b>	-40...+100 °C						
<b>IP Protection Class</b>	IP54						
<b>Weight</b>	~90 gr						
<b>Material</b>	Body: Aluminum						
	Shaft: Stainless Steel						

**Note:** The specifications indicated by (\*) vary according to the model selected. The detailed code table for product selection is shown on page 2.

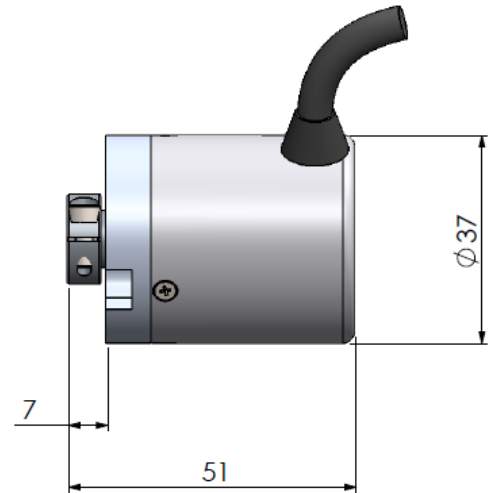
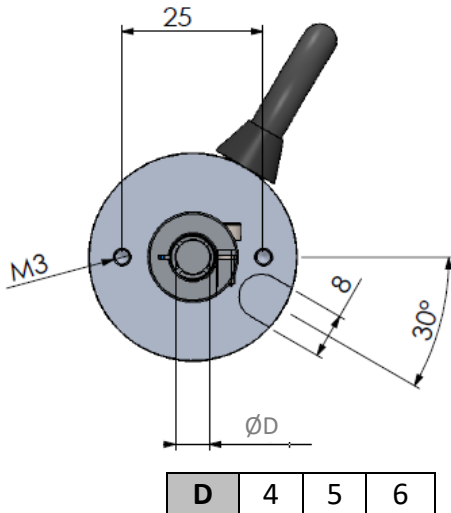
## ELECTRICAL CONNECTIONS

SIGNAL	CABLE COLOR
A	YELLOW
/B	WHITE
+V	RED
0 V	BLACK
/A	BLUE
B	GREEN
/Z	GREY
Z	PINK



The table above shows the cable colors of the sensor output signals. If the control circuit is suitable in the Line Driver sensors of the not output signals (/A, /B, /Z) have to be added to the system. If it is not suitable /A, /B, /Z signal cables must be fixed as insulated separately. Don't forget that these edges have electricity too.

## MECHANICAL DIMENSIONS (mm)



## PRODUCT CODE

Model	Shaft Type	Body Diameter	Resolution	Output Signals	Cable Direction
ARS	X	XX	XXXX	XXX	X
<b>Supply and Output</b> PP : 10...30 VDC Supply : 10...30VDC Output TTL : 5 VDC Supply : 5 VDC TTL RS422 Line Driver Out. HTL : 10...30 VDC Supply : 5 VDC TTL RS422 Line Driver Out. HPL : 5...30 VDC Supply : 5...30 VDC Push-Pull Output OCL : NPN Open Collector OCP : PNP Open Collector		<b>Electrical Connection</b> 3M : 3 m (standard) 5M : 5 m 10M: 10 m *Optional others		<b>Hollow Diameter</b> 4 : 4 mm 5 : 5 mm 6 : 6 mm	
<b>Model</b> ARS - X - XX - XXXX - XXX - X - XX - X - X		<b>Body Diameter</b> 37 : 37 mm		<b>Resolution</b> All resolution options from 1 to 1024 pulses	
<b>Shaft Type</b> B : Semi Hollow Shaft		<b>Output Signals</b> 2 (A,B) 3 (A,B,Z) 4 (A,/A,B,/B) 6 (A,/A,B,/B,Z,/Z)		<b>Cable Direction</b> A : From backside Y : From side	

Atek Elektronik Sensör Teknolojileri Sanayi ve Ticaret A.Ş.



Gebze OSB, 800. Sokak, No:814 Gebze/KOCAELİ/TURKEY

