

GENERAL FEATURES

- 150° ve 340° electrical angle
- 20 mm hollow shaft
- 59.80 mm body diameter
- Potentiometric output
- High linearity up to $\pm 0.5\%$
- Long life up to 10 million movements
- Dust and moisture resistant, IP63 protection class
- No mechanical rotation limitation

APPLICATION FIELDS

- Textile machinery
- Automatic door control systems
- Automotive
- All kinds of control and measurement applications



TECHNICAL FEATURES

Electrical Data

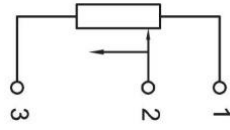
Independent Linearity	$\pm 0.5\%$
Repeatability	0.1° max.
Output Type	Potentiometric
Electrical Angle	150°, 340°
Supply Voltage	42V max.
Resistance Values	1K, 2K, 5K, 10K
Resistance Tolerance	$\pm 20\%$
Resistance Element	Conductive Plastic
Resolution	Infinite
Recommended Wiper Current	100 μ A max.
Power Rating	0.5W / 40°C max.
Minimum Life (electrical)	10 million movements
Electrical Connection	3x0,102 mm ² soft PVC cable (standard 1m, optional others)

Mechanical Data

Dimensions	See mechanical dimensions table
Mechanical Angle	360°, continuous
Torque	6 Ncm max.
Operating Temperature	-25°C ... +75°C
Storage Temperature	-25°C ... +105°C
Housing Material	Aluminum
Protection Class	IP63

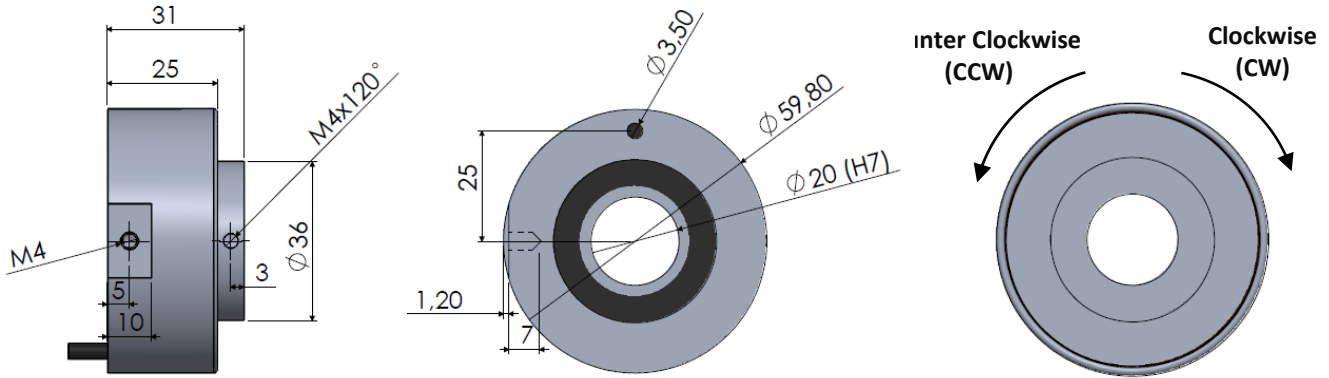
ELECTRICAL CONNECTIONS

SIGNAL	CABLE COLOR
+V	Green (1)
Potentiometric output	Red (2)
-V	Yellow (3)



Potentiometer connection
(voltage divider)

MECHANICAL DIMENSIONS (mm)



ORDER CODE

Model		Angle	Cable Length
RHP	-	150 : 150° 340 : 340°	1M: 1 meter (standard) *Optional others
XXX	-	XXX	XXX
Body Diameter		Resistance Value	Output Type
060: 59.80 mm		1K: 1K 2K: 2K 5K: 5K 10K: 10K	No Code: Potentiometric