

ITS 10 Series

“Infrared Detection, High Accuracy, stable Operation”



- Suitable for use in touchless taps
- Adjustable sensor range by user
- Many electrical connection options according to usage
- Automatic stop of water after 1 minute of continuous flow
- Low power consumption
- Strong moisture proof feature
- High anti-interference and anti-vibration performance

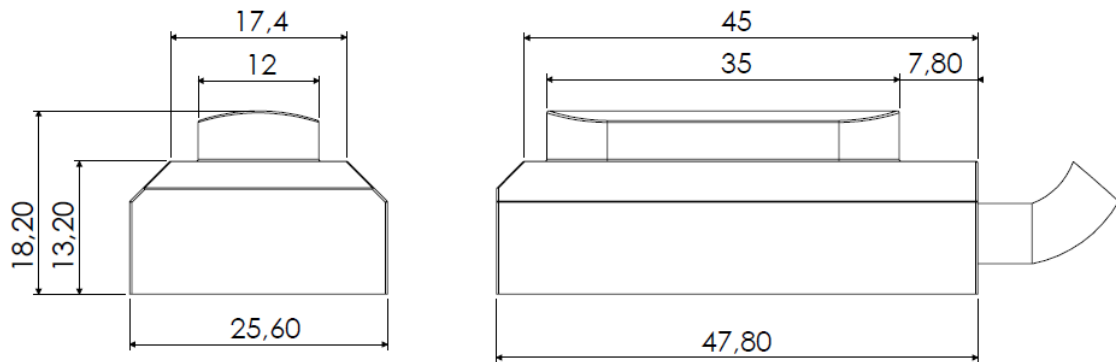


ITS series infrared non-contact tap sensors use the emission and reception of infrared rays to detect the presence and/or movement of objects in the sensing area. The task of these sensors is to transmit signals to the valve to open the tap after detecting your hand. It tells the valve when to start or stop flow, depending on the presence or absence of your hands. Ideal for applications requiring a long and narrow sensing range.

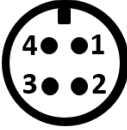
TECHNICAL FEATURES

Type	IR Sensor
IR Wavelength	940 nm
Supply Voltage	4V - 6.5V DC
Power Consumption	≤0.16mw(≤2.5uA)
Object Detection Distance	10mm - 300mm adjustable (Object:hand)
	50mm - 380mm adjustable (Object:white paper)
Sensor Range Error	±%10 of rated sensor range
Max. Operating Current	750 mA
Output Pulse Width	48 ms
Security Stop	60 sn
Sensor Life	500.000 circles
Material	ABS

MECHANICAL DIMENSIONS



ELECTRICAL CONNECTIONS

SIGNAL	CABLE	 GX16-4 pin male/female Mike Connector
+V	Red	Pin 1
GND	Black	Pin 2
A (On)	Green	Pin 3
B (Off)	Yellow	Pin 4

ORDER CODE

Model

ITS 10

XX

Electrical Connection

XM : Desired length, cable only

S139 : GX16-4 pin female Mike connector with 20cm cable

*Ask for others.