



GENERAL FEATURES

- 340° electrical angle
- 22.2 mm small body diameter
- 6 or 6.35mm shaft diameter
- High linearity up to $\pm 1\%$
- Long life up to 10 million movements
- IP50 protection class
- No mechanical rotation limitation

APPLICATIONS

- Valve controls
- Joysticks
- Master switches

TECHNICAL FEATURES

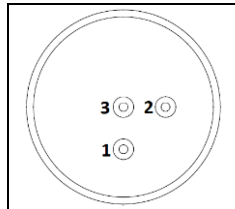
Electrical Data

Electrical Angle	340°
Resistance Values	5K, 10K
Resistance Tolerance	$\pm 20\%$
Resistance Element	Conductive Plastic
Supply Voltage	42V max.
Independent Linearity	$\pm 1\%$
Repeatability	0.1° max.
Resolution	Infinite
Recommended Wiper Current	1 μ A max.
Power rating	0,5W @40° max.
Insulating Resistance	>1Gohm @ 500VDC
Electrical connection	3 gold-plated pins

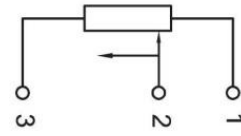
Mechanical Data

Mechanical Angle	360°, continuous
Life	10 million movements
Body Diameter	22.2 mm
Shaft Diameter	6mm or 6.35mm (optional others)
Torque	0.7 Ncm
Body Material	Aluminum
Shaft Material	Stainless Steel
Operating Temperature	-25°C ... +85°C
Storage Temperature	-40°C ... +105°C
Maximum radial and axial shaft load	1 N
Protection Class	IP50
Weight	~20gr

ELECTRICAL CONNECTIONS

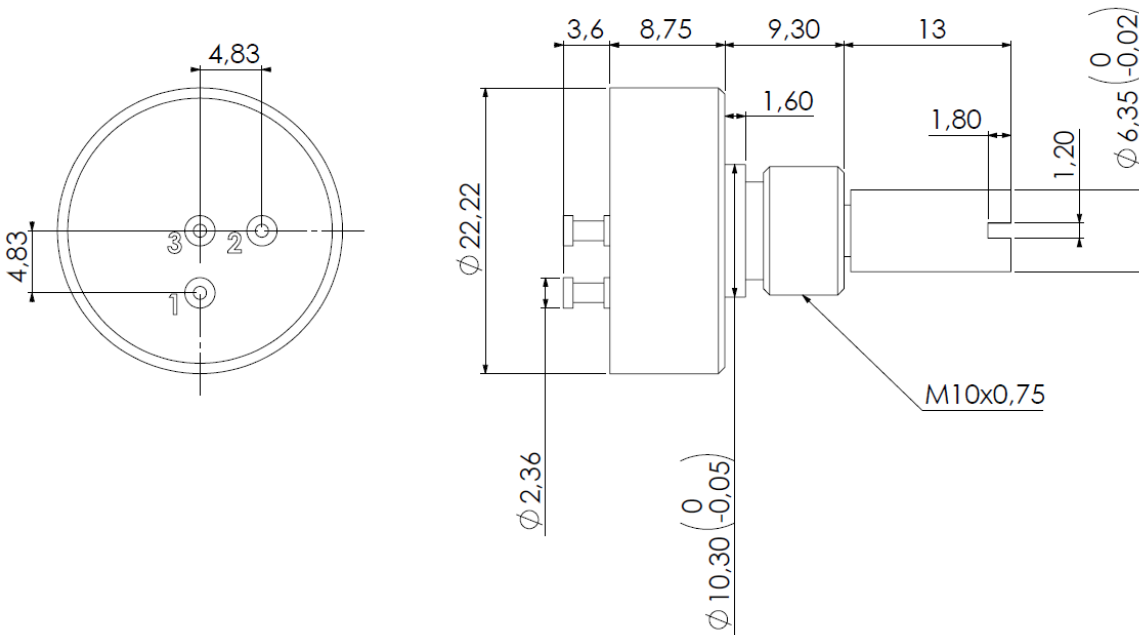


SIGNAL	PIN
+V	1
Output Signal	2
-V	3



Potentiometer connection
(voltage divider)

MECHANICAL DIMENSIONS (mm)



ORDER CODE

Model		Electrical Angle	Shaft Diameter	
ERP	-	340 : 340°	XX	XXX
Body Diameter			Resistance Value	
22 : 22.2 mm			5K: 5K	
			10K: 10K	