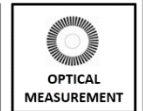
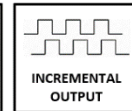




**GENERAL SPECIFICATIONS**

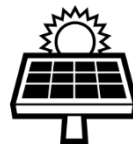
- Incremental measurement with optical principle
- Resolution 1024 pulse
- 50 mm body diameter
- 6 mm, 8 mm, 10 mm, 12 mm, 14 mm or 15 mm hollow shaft options
- Operating speed up to 6000 RPM
- 300 KHz response frequency
- High accuracy
- Robust structure, long operating life
- IP54 protection class



ARC H 50 K series rotary encoders measure with optical principle and operate incrementally. Optionally different hollow diameters, flange types or cable lengths can be requested.

**APPLICATIONS**



- Wind Applications / Power Plants
- Marine or Utility Vehicle Applications
- Press or Wood and Stone Processing Machinery
- Construction Machinery
- Cranes
- Offshore Applications
- Commercial Solar Plants
- Filling Plants
- Food & Beverage Applications
- Oil & Gas - Pipe Handling and Cranes

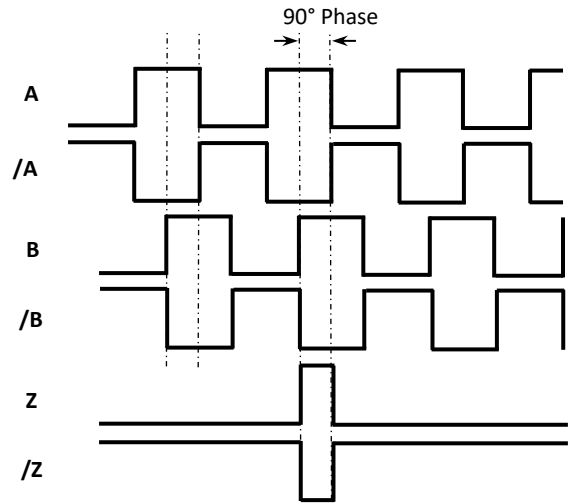


**TECHNICAL SPECIFICATIONS**

<b>Resolution</b>	1024 pulse						
<b>Operating Speed</b>	6000 RPM max.						
<b>Measuring Type</b>	Optical						
<b>Response Frequency</b>	300 KHz						
<b>Current Consumption</b>	50 mA nominal						
<b>Electrical Interface</b>		<b>PP</b>	<b>TTL</b>	<b>HTL</b>	<b>HPL</b>	<b>OCL</b>	<b>OCP</b>
	<b>Supply</b>	10...30 VDC	5 VDC	10...30 VDC	5...30 VDC	The supply signal should not be lower than the output signal	
	<b>Output</b>	10...30 VDC PP	5 VDC TTL	5 VDC TTL	5...30 VDC PP	NPN Open Collector	PNP Open Collector
<b>Output Signals</b>	A, /A, B, /B, Z, /Z						
<b>Output Current</b>	100 mA max. (per channel)						
<b>Electrical Connection</b>	5 or 8x0,14 mm <sup>2</sup> shielded cable						
<b>Body Diameter</b>	50 mm						
<b>Hollow Diameter</b>	6 mm, 8 mm, 10 mm, 12 mm, 14 mm, 15 mm						
<b>Operating Temperature</b>	-25...+85 °C						
<b>Storage Temperature</b>	-40...+100 °C						
<b>IP Protection Class</b>	IP54						
<b>Material</b>	Body: Aluminum						
	Shaft: Stainless Steel						

## ELECTRICAL CONNECTIONS

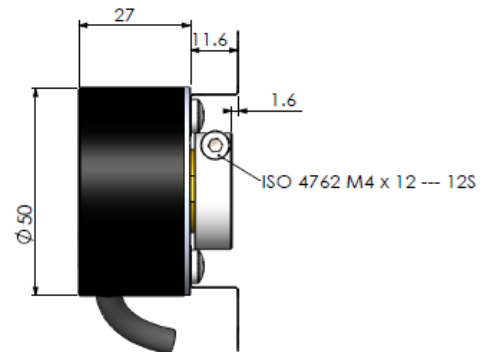
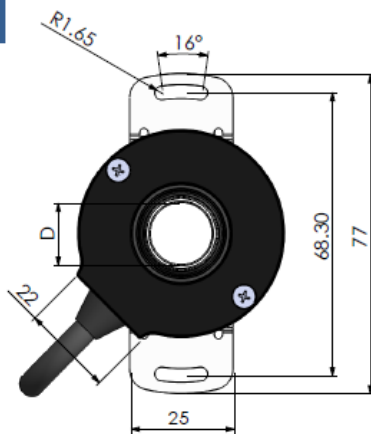
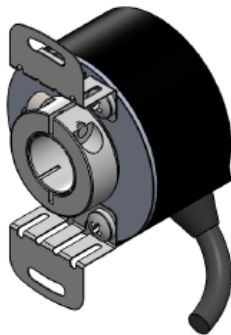
 <b>SIGNAL</b>	 <b>CABLE COLOR</b>
A	YELLOW
/B	WHITE
+V	RED
0 V	BLACK
/A	BLUE
B	GREEN
/Z	GREY
Z	PINK



The table above shows the cable colors of the sensor output signals. If the control circuit is suitable in the Line Driver sensors of the not output signals (/A, /B, /Z) have to be added to the system. If it is not suitable /A, /B, /Z signal cables must be fixed as insulated separately. Don't forget that these edges have electricity too.

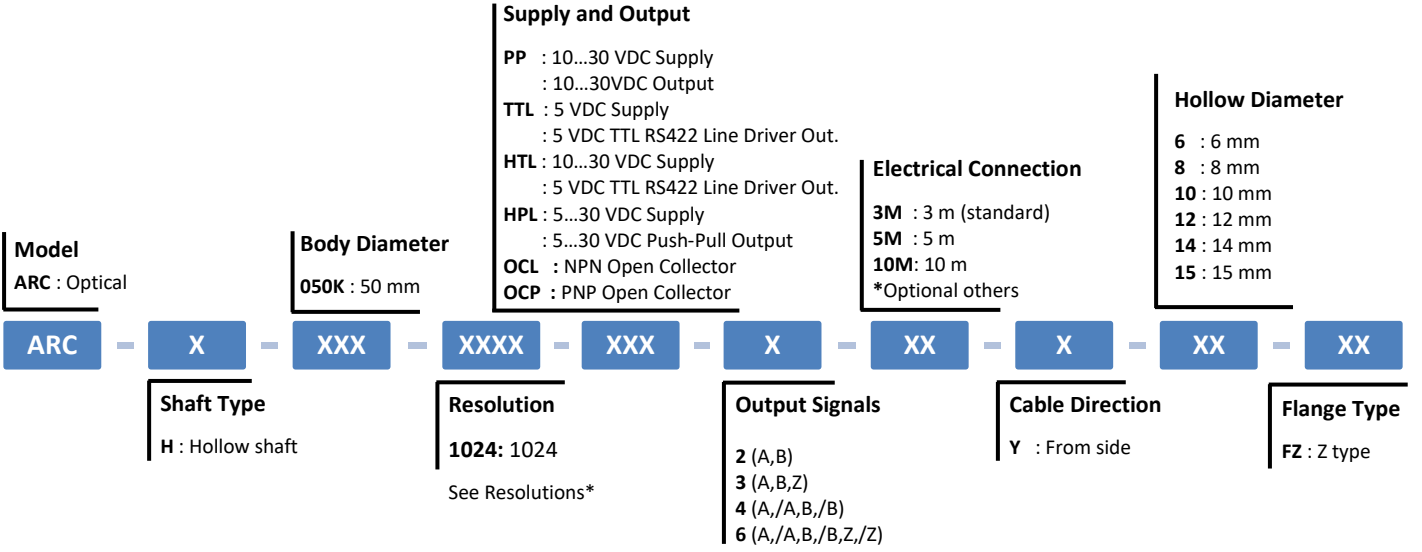
## MECHANICAL DIMENSIONS (mm)

### FZ FLANGE



<b>∅D</b>	6	8	10	12	14	15
-----------	---	---	----	----	----	----

## PRODUCT CODE



### Sample Coding:

**ARC-H-050K-1024-PP-6-3M-Y-10-FZ**

Optical, hollow shaft, 50 mm body diameter, 1024 pulse, Push-Pull, 6 output signals, 3 meters cable from side, 10 mm hollow shaft, Z type flange

Atek Elektronik Sensör Teknolojileri Sanayi ve Ticaret A.Ş.



Gebze OSB, 800. Sokak, No:814 Gebze/KOCAELİ/TÜRKİYE



Tel: +90 262 673 76 00



Fax: +90 262 673 76 08



[www.ateksensor.com](http://www.ateksensor.com)



[info@ateksensor.com](mailto:info@ateksensor.com)