



GENERAL FEATURES

- 10 or 20 turn options
- 14 mm hollow diameter
- Potentiometric output
- High linearity up to $\pm 0.25\%$
- 1 million revolution service life
- IP52 protection
- Compact structure, easy installation

APPLICATIONS

- Paper processing machines,
- Textile machinery,
- Slewing systems and lifting gear of crane and excavator systems
- Actuators in power plants and chemical plants

TECHNICAL FEATURES

General Features

Number of turns	10, 20 turns (optional others)
-----------------	--------------------------------

Mechanical Features

Shaft Material	303 stainless steel
Housing Material	Delrin
Speed	≤ 300 rpm
Service Life	1×10^6 revolutions

Electrical Features

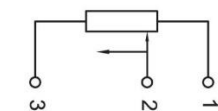
Linearity	$\pm 0.25\%$
Output Type	Potentiometric
Supply Voltage	42V max.
Resistance Values	5K, 10K
Resistance Tolerance	$\pm 20\%$
Power Rating	2W at 40°C
Electrical Connection	$3 \times 0,14 \text{ mm}^2$ PVC cable

Environmental Features

Ambient Temperature	$0^\circ\text{C} \dots +80^\circ\text{C}$
Protection Class	IP52

ELECTRICAL CONNECTIONS

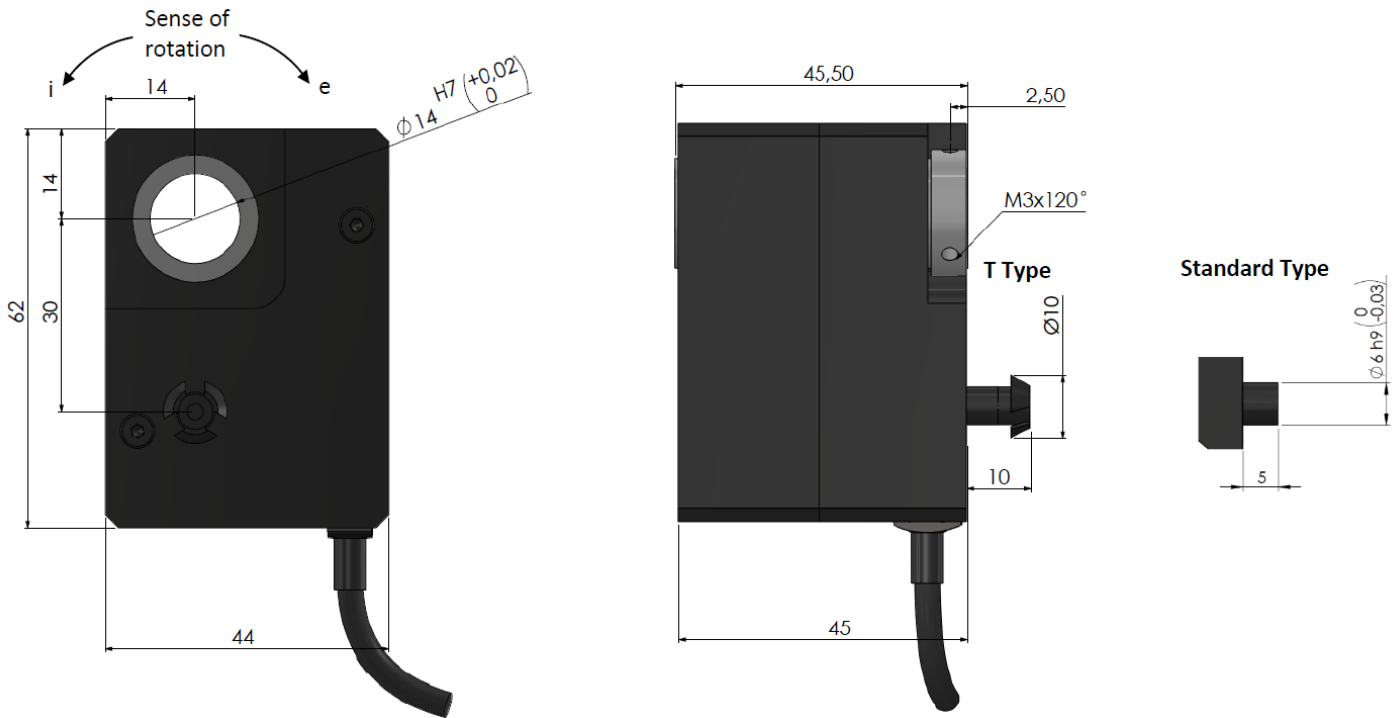
SIGNAL	CABLE COLOR
+V	Red (1)
Output signal	Yellow (2)
-V	Black (3)



Potentiometer connection
(voltage divider)

- Wiring must only be carried out with power off.
- Check all lines and connections before switching on the equipment.

DIMENSIONS (mm)



ORDER CODE

Model	Resistance Value				Shaft Diameter					
	5K: 5K	10K: 10K			14H : 14 mm hollow					
AGP 100	-	XX	-	XXX	-	XX	-	XXX	-	X
Number of turns			Cable Length			Mounting Type				
10 : 10 turns 20 : 20 turns *Optional others			3M: 3 meters (standard) *Optional others			No code : Standard T : T type				